
ISO PSC TOOL HOLDERS

WIDE RANGE OF PSC HOLDERS
FOR MULTIPLE APPLICATIONS



*M*plus...

ISO PSC TOOL HOLDERS

WIDE RANGE PSC HOLDERS FOR MULTIPLE OPERATIONS

The new ISO PSC Holder series is taking advantage of the latest technology, materials and geometries. Due to the wide variety of tools available, this series offers a solution for nearly every application – ranging from multi-purpose, through to turning, milling and profiling tool holders and boring bars.

PRODUCT RANGE

- D-Type Holder
- P-Type Holder
- S-Type Holder
- P-Type Boring Bar
- S-Type Boring Bar
- External and internal threading
- Top clamp holder for ceramic inserts

AVAILABILITY

- All turning applications

FEATURES

- High fracture resistance
- Stable cutting and burr prevention
- Internal coolant supply
- Stable insert clamping
- Highly wear resistant body



OPTIMISATION OF TOOL LIFE

BETTER SURFACE FINISHES

HIGHER PROCESS RELIABILITY

INCREASED PRODUCTIVITY



BENEFITS

- Optimisation of tool life
- Better surface finishes
- Higher process reliability
- Increased productivity



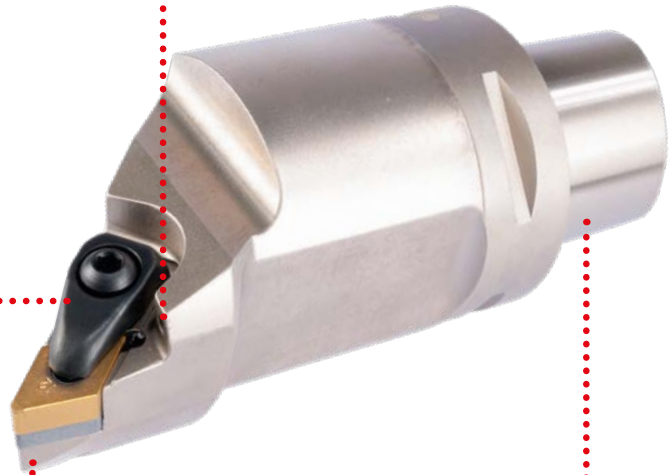
ISO PSC TOOL HOLDERS

ISO PSC Holder with through coolant to the cutting edge for optimum cooling, chip evacuation and long tool life.



Stable clamping.

High strength tool body material and coating for long tool life.

The polygonal shape of ISO PSC Holder ensures stable clamping and perfect positioning and also prevents torsional movement or deflection.



INDEX

Product code		Product code	
DCKN 75°	4	SDJC 93°	26
DCLN 95°	5	SDNC 62° 30`	27
DCMN 50°	7	SVHC 107° 30`	28
DCRN 75°	8	SVJC 93°	29
DDHN 107° 30`	9	SVVC 72° 30`	30
DDJN 93°	10	PCLN 95°	31
DDMN 48°	11	PDUN 93°	33
DSDN 45°	12	SCLC 95°	35
DSSN 45°	13	SDUC 93°	37
DVJN 93°	14	SVQC 107° 30`	39
DVVN 72° 30`	15	External threading 90°	40
DWLN 95°	16	Internal threading 90°	41
PCLN 95°	17	CRSN	45
PCRN 75°	19	MA-Type adaptor	46
PDJN 93°	20	MS-Type screwed shank	47
PSDN 45°	21	B-Type boring bar holder	48
PSKN 75°	22	C-Type collet chucks	50
PSRN 75°	23	TA-Type adaptor	52
PSSN 45°	24	TR-Type adaptor	53
SCLC 95°	25	AC-Type caps	54

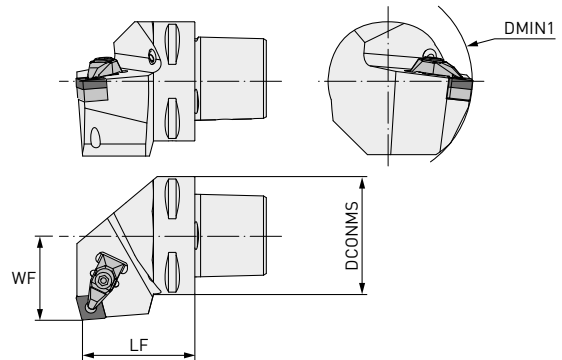
NOTES: We reserve the right to make changes to any item compared to the information and illustrations shown in this catalogue, e.g. with regard to technical data, construction, equipment provided, material and external appearance. All dimensions are in millimetres. You will find the latest version of this catalogue on our microsite: www.mmc-hardmetal.com

DCKN 75°

MULTI-PURPOSE TOOL HOLDER EQUIPPED WITH RHOMBIC NEGATIVE DOUBLE-SIDED INSERTS









GAMF: -6°
GAMP: -6°



Order number	Stock	Hand	DCONMS	DMIN1	LF	WF	WT	Insert
PSC40-DCKNL27050-12	☐	L	40	110	50	27	0.42	
PSC40-DCKNR27050-12	●	R	40	110	50	27	0.42	
PSC50-DCKNL35060-12	☐	L	50	110	60	35	0.80	CN00120400
PSC50-DCKNR35060-12	☐	R	50	110	60	35	0.80	
PSC63-DCKNL45065-12	☐	L	63	110	65	45	1.10	CN00160600
PSC63-DCKNR45065-12	☐	R	63	110	65	45	1.10	
PSC63-DCKNL45065-16	●	L	63	125	65	45	1.10	CN00190600
PSC63-DCKNR45065-16	●	R	63	125	65	45	1.10	
PSC80-DCKNL55080-19	●	L	80	125	80	55	2.74	CN00190600
PSC80-DCKNR55080-19	●	R	80	125	80	55	2.74	

SPARE PARTS

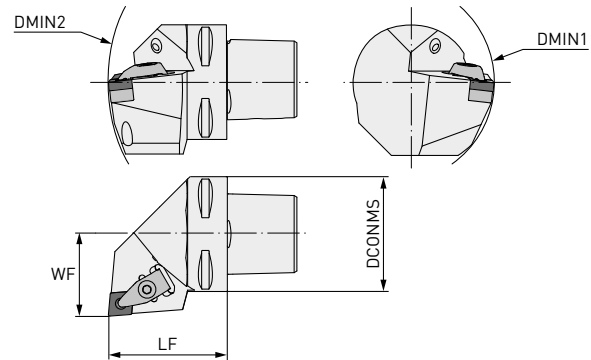
Tool holder type						
PSC40-DCKNL27050-12	MP1766	MPICSN-442	MP2712			
PSC40-DCKNR27050-12	MP1766	MPICSN-442	MP2712			
PSC50-DCKNL35060-12	MP1766	MPICSN-442	MP2712			
PSC50-DCKNR35060-12	MP1766	MPICSN-442	MP2712			
PSC63-DCKNL45065-12	MP1766	MPICSN-442	MP2712			
PSC63-DCKNR45065-12	MP1766	MPICSN-442	MP2712	MP1696	MP4295	MP5004
PSC63-DCKNL45065-16	MP1768	MPICSN-533	MP2716			
PSC63-DCKNR45065-16	MP1768	MPICSN-533	MP2716			
PSC80-DCKNL55080-19	MP1770	MPICSN-633	MP2719			
PSC80-DCKNR55080-19	MP1770	MPICSN-633	MP2719			

DCLN 95°

MULTI-PURPOSE TOOL HOLDER EQUIPPED WITH RHOMBIC NEGATIVE DOUBLE-SIDED INSERTS









GAMF: -6°
GAMP: -6°



Order number	Stock	Hand	DCONMS	DMIN1	DMIN2	LF	WF	WT	Insert
PSC40-DCLNL27050-12	●	L	40	110	140	50	27	0.42	
PSC40-DCLNR27050-12	●	R	40	110	110	50	27	0.42	
PSC50-DCLNL35060-12	●	L	50	110	165	60	35	0.80	
PSC50-DCLNR35060-12	●	R	50	110	165	60	35	0.80	CN00120400
PSC63-DCLNL45065-12	●	L	63	110	190	65	45	1.10	
PSC63-DCLNR45065-12	●	R	63	110	190	65	45	1.10	
PSC80-DCLNL55080-12	●	L	80	110	250	80	55	2.74	
PSC80-DCLNR55080-12	●	R	80	110	250	80	55	2.74	
PSC50-DCLNL35060-16	●	L	50	125	165	60	35	0.80	
PSC50-DCLNR35060-16	●	R	50	125	165	60	35	0.80	
PSC63-DCLNL45065-16	●	L	63	125	190	65	45	1.10	
PSC63-DCLNR45065-16	●	R	63	125	190	65	45	1.10	CN00160600
PSC80-DCLNL55080-16	●	L	80	125	250	80	55	2.74	
PSC80-DCLNR55080-16	●	R	80	125	250	80	55	2.74	
PSC63-DCLNL45065-19	●	L	63	125	190	65	45	1.10	
PSC63-DCLNR45065-19	●	R	63	125	190	65	45	1.10	
PSC80-DCLNL55080-19	●	L	80	125	250	80	55	2.74	CN00190600
PSC80-DCLNR55080-19	●	R	80	125	250	80	55	2.74	

SPARE PARTS

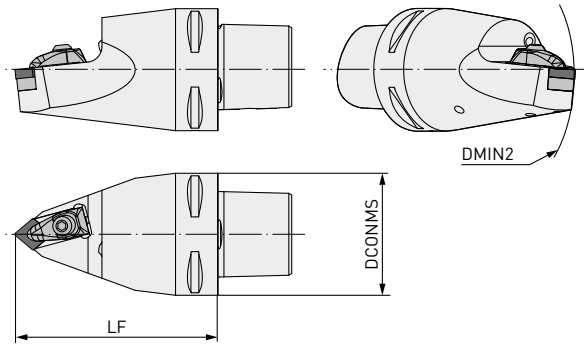
Tool holder type						
PSC40-DCLNL27050-12	MP1766	MPICSN-442	MP2712			
PSC40-DCLNR27050-12	MP1766	MPICSN-442	MP2712			
PSC50-DCLNL35060-12	MP1766	MPICSN-442	MP2712			
PSC50-DCLNR35060-12	MP1766	MPICSN-442	MP2712			
PSC63-DCLNL45065-12	MP1766	MPICSN-442	MP2712			
PSC63-DCLNR45065-12	MP1766	MPICSN-442	MP2712			
PSC80-DCLNL55080-12	MP1766	MPICSN-442	MP2712			
PSC80-DCLNR55080-12	MP1766	MPICSN-442	MP2712			
PSC50-DCLNL35060-16	MP1768	MPICSN-533	MP2716	MP1696	MP4295	MP5004
PSC50-DCLNR35060-16	MP1768	MPICSN-533	MP2716			
PSC63-DCLNL45065-16	MP1768	MPICSN-533	MP2716			
PSC63-DCLNR45065-16	MP1768	MPICSN-533	MP2716			
PSC80-DCLNL55080-16	MP1768	MPICSN-533	MP2716			
PSC80-DCLNR55080-16	MP1768	MPICSN-533	MP2716			
PSC63-DCLNL45065-19	MP1770	MPICSN-633	MP2719			
PSC63-DCLNR45065-19	MP1770	MPICSN-633	MP2719			
PSC80-DCLNL55080-19	MP1770	MPICSN-633	MP2719			
PSC80-DCLNR55080-19	MP1770	MPICSN-633	MP2719			

DCMNN 50°

TOOL HOLDER FOR MULTI-TASK MACHINING EQUIPPED WITH RHOMBIC NEGATIVE DOUBLE-SIDED INSERTS


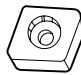
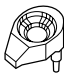





GAMF: -6°
GAMP: -6°



Order number	Stock	DCONMS	DMIN2	LF	WT	Insert
PSC63-DCMNN00115-12	●	63	110	115	1.7	CN00120400
PSC80-DCMNN00150-16	●	80	115	150	3.3	CN00160600

SPARE PARTS

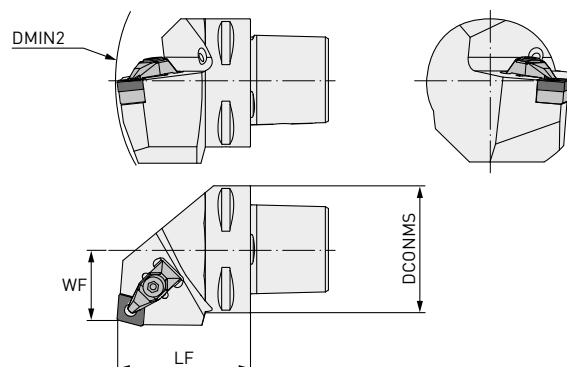
Tool holder type						
PSC63-DCMNN00115-12	MP1766	MPICSN-442	MP2712	MP1696	MP4295	MP5004
PSC80-DCMNN00150-16	MP1768	MPICSN-533	MP2716			

DCRN 75°

MULTI-PURPOSE TOOL HOLDER EQUIPPED WITH RHOMBIC NEGATIVE DOUBLE-SIDED INSERTS



GAMF: -6°
GAMP: -6°



Order number	Stock	Hand	DCON	DMIN2	WF	LF	WT	Insert
PSC50-DCRNL27060-12	<input type="checkbox"/>	L	50	165	27	60	0.80	
PSC50-DCRNR27060-12	<input type="checkbox"/>	R	50	165	27	60	0.80	CN00120400
PSC63-DCRNL35065-12	<input type="checkbox"/>	L	63	190	35	65	1.40	
PSC63-DCRNR35065-12	<input type="checkbox"/>	R	63	190	35	65	1.40	
PSC63-DCRNL35065-16	<input checked="" type="checkbox"/>	L	63	190	35	65	1.40	
PSC63-DCRNR35065-16	<input type="checkbox"/>	R	63	190	35	65	1.40	CN00160600
PSC80-DCRNL55080-16	<input checked="" type="checkbox"/>	L	80	250	55	80	2.74	
PSC80-DCRNR55080-16	<input type="checkbox"/>	R	80	250	55	80	2.74	
PSC63-DCRNL35065-19	<input checked="" type="checkbox"/>	L	63	190	35	65	1.40	
PSC63-DCRNR35065-19	<input checked="" type="checkbox"/>	R	63	190	35	65	1.40	
PSC80-DCRNL55080-19	<input checked="" type="checkbox"/>	L	80	250	55	80	2.74	CN00190600
PSC80-DCRNR55080-19	<input checked="" type="checkbox"/>	R	80	250	55	80	2.74	

SPARE PARTS

Tool holder type



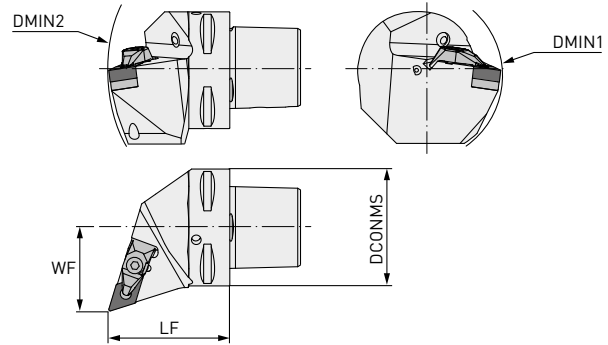
PSC50-DCRNL27060-12	MP1766	MPICSN-442	MP2712			
PSC50-DCRNR27060-12	MP1766	MPICSN-442	MP2712			
PSC63-DCRNL35065-12	MP1766	MPICSN-442	MP2712			
PSC63-DCRNR35065-12	MP1766	MPICSN-442	MP2712			
PSC63-DCRNL35065-16	MP1768	MPICSN-533	MP2716			
PSC63-DCRNR35065-16	MP1768	MPICSN-533	MP2716			
PSC80-DCRNL55080-16	MP1768	MPICSN-533	MP2716	MP1696	MP4295	MP5004
PSC80-DCRNR55080-16	MP1768	MPICSN-533	MP2716			
PSC63-DCRNL35065-19	MP1770	MPICSN-633	MP2719			
PSC63-DCRNR35065-19	MP1770	MPICSN-633	MP2719			
PSC80-DCRNL55080-19	MP1770	MPICSN-633	MP2719			
PSC80-DCRNR55080-19	MP1770	MPICSN-633	MP2719			

DDHN 107° 30'

TURNING AND PROFILING TOOL HOLDER EQUIPPED WITH RHOMBIC NEGATIVE DOUBLE-SIDED INSERTS




GAMF: -6°
GAMP: -7°



Order number	Stock	Hand	DCONMS	DMIN1	DMIN2	WF	LF	WT	Insert
PSC40-DDHNL27055-15	●	L	40	110	145	27	55	0.43	DN00150600
PSC40-DDHNR27055-15	□	R	40	110	145	27	55	0.43	
PSC50-DDHNL35060-15	●	L	50	110	165	35	60	0.80	
PSC50-DDHNR35060-15	●	R	50	110	165	35	60	0.80	
PSC63-DDHNL45065-15	●	L	63	110	190	45	65	1.10	
PSC63-DDHNR45065-15	●	R	63	110	190	45	65	1.10	
PSC80-DDHNL55080-15	●	L	80	110	250	55	80	2.74	
PSC80-DDHNR55080-15	●	R	80	110	250	55	80	2.74	

SPARE PARTS

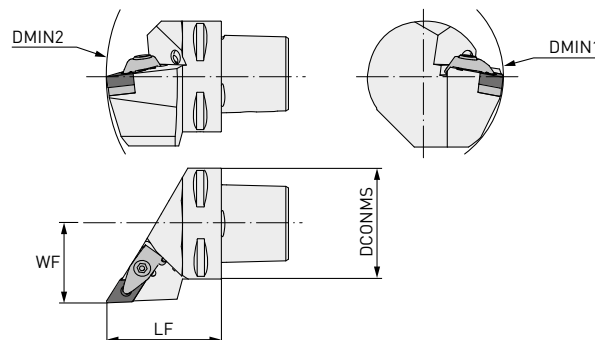
Tool holder type						
PSC40-DDHNL27055-15						
PSC40-DDHNR27055-15						
PSC50-DDHNL35060-15						
PSC50-DDHNR35060-15	MP1766	MPIDSN-432	MP2712	MP1696	MP4295	MP5004
PSC63-DDHNL45065-15						
PSC63-DDHNR45065-15						
PSC80-DDHNL55080-15						
PSC80-DDHNR55080-15						

DDJN 93°

TURNING AND PROFILING TOOL HOLDER EQUIPPED WITH RHOMBIC NEGATIVE DOUBLE-SIDED INSERTS






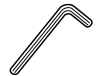


GAMF: -6°
GAMP: -7°



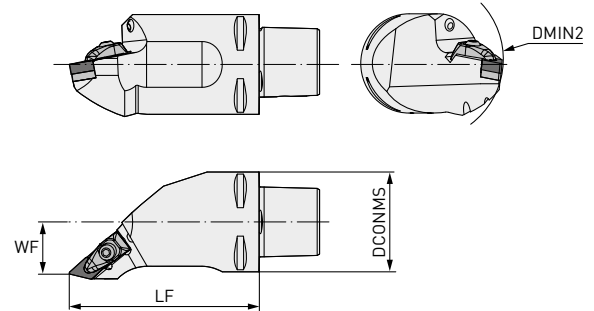
Order number	Stock	Hand	DCON	DMIN1	DMIN2	WF	LF	WT	Insert
PSC40-DDJNL27050-11	●	L	40	60	140	27	50	0.42	DN \odot 1104 $\odot\odot$
PSC40-DDJNR27050-11	●	R	40	60	140	27	50	0.42	
PSC40-DDJNL27055-15	●	L	40	110	145	27	55	0.42	DN \odot 1506 $\odot\odot$
PSC40-DDJNR27055-15	●	R	40	110	145	27	55	1.10	
PSC50-DDJNL35060-11	●	L	50	65	165	35	60	0.80	DN \odot 1104 $\odot\odot$
PSC50-DDJNR35060-11	●	R	50	65	165	35	60	0.80	
PSC50-DDJNL35060-15	●	L	50	110	165	35	60	0.80	DN \odot 1506 $\odot\odot$
PSC50-DDJNR35060-15	●	R	50	110	165	35	60	0.80	
PSC63-DDJNL45065-15	●	L	63	110	190	45	65	1.10	DN \odot 1506 $\odot\odot$
PSC63-DDJNR45065-15	●	R	63	110	190	45	65	1.10	
PSC80-DDJNL55080-15	●	L	80	110	250	55	80	2.74	DN \odot 1506 $\odot\odot$
PSC80-DDJNR55080-15	●	R	80	110	250	55	80	2.74	

SPARE PARTS

Tool holder type						
PSC40-DDJNL27050-11	MP1764	MPIDSN-322	MP2708	MP1695	MP4294	MP5004
PSC40-DDJNR27050-11	MP1764	MPIDSN-322	MP2708	MP1695	MP4294	
PSC40-DDJNL27055-15	MP1766	MPIDSN-432	MP2712	MP1696	MP4295	
PSC40-DDJNR27055-15	MP1766	MPIDSN-432	MP2712	MP1696	MP4295	
PSC50-DDJNL35060-11	MP1764	MPIDSN-322	MP2708	MP1695	MP4294	
PSC50-DDJNR35060-11	MP1764	MPIDSN-322	MP2708	MP1695	MP4294	
PSC50-DDJNL35060-15	MP1766	MPIDSN-432	MP2712	MP1696	MP4295	
PSC50-DDJNR35060-15	MP1766	MPIDSN-432	MP2712	MP1696	MP4295	
PSC63-DDJNL45065-15	MP1766	MPIDSN-432	MP2712	MP1696	MP4295	
PSC63-DDJNR45065-15	MP1766	MPIDSN-432	MP2712	MP1696	MP4295	
PSC80-DDJNL55080-15	MP1766	MPIDSN-432	MP2712	MP1696	MP4295	
PSC80-DDJNR55080-15	MP1766	MPIDSN-432	MP2712	MP1696	MP4295	

DDMN 48°







TOOL HOLDER FOR MULTI-TASK MACHINING EQUIPPED WITH RHOMBIC NEGATIVE DOUBLE-SIDED INSERTS



GAMF: -5°
GAMP: -9°

Order number	Stock	Hand	DCONMS	DMIN1	DMIN2	WF	LF	WT	Insert
PSC63-DDMNL33120-15	●	L	63	63	130	33	120	2.30	DN \odot 1506 $\odot\odot$
PSC63-DDMNR33120-15	●	R							

SPARE PARTS

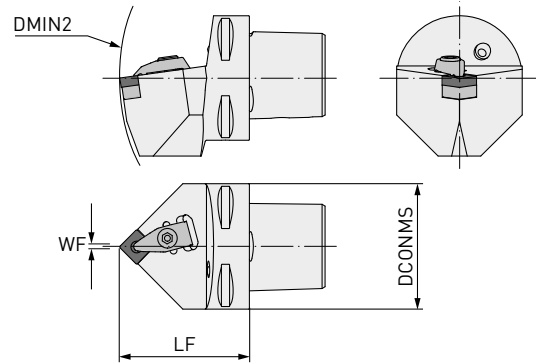
Tool holder type						
PSC63-DDMNL33120-15	MP1766	MPIDSN-432	MP2712	MP1696	MP4295	MP5004
PSC63-DDMNR33120-15						

DSDN 45°

TOOL HOLDER FOR EXTERNAL TURNING AND CHAMFERING EQUIPPED WITH SQUARE NEGATIVE DOUBLE-SIDED INSERTS


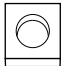






GAMF: -6°
GAMP: -6°



Order number	Stock	DCONMS	DMIN2	WF	LF	WT	Insert
PSC40-DSDNN00050-12	●	40	140	0.3	50	0.35	
PSC50-DSDNN00060-12	●	50	165	0.3	60	0.75	SN○○1204○○
PSC63-DSDNN00065-12	●	63	190	0.3	65	1.07	
PSC50-DSDNN00065-19	●	50	170	0.5	65	0.80	
PSC63-DSDNN00070-19	●	63	195	0.5	70	1.26	SN○○1906○○

SPARE PARTS

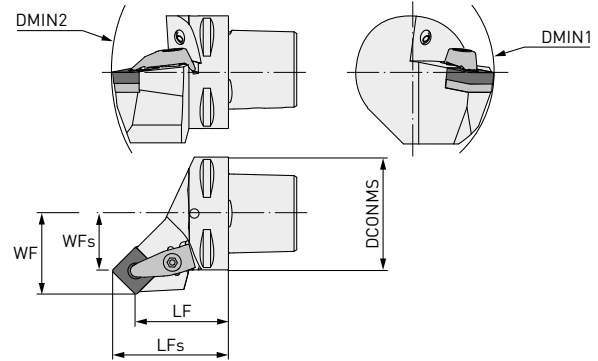
Tool holder type						
PSC40-DSDNN00050-12	MP1766	MPISSN-442	MP2712			
PSC50-DSDNN00060-12	MP1766	MPISSN-442	MP2712			
PSC63-DSDNN00065-12	MP1766	MPISSN-442	MP2712	MP1696	MP4295	MP5004
PSC50-DSDNN00065-19	MP1770	MPISSN-633	MP2719			
PSC63-DSDNN00070-19	MP1770	MPISSN-633	MP2719			

DSSN 45°

TOOL HOLDER FOR EXTERNAL TURNING AND CHAMFERING
EQUIPPED WITH DOUBLE-SIDED SQUARE NEGATIVE INSERTS


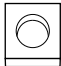






GAMF: -8°
GAMP: 0°



Order number	Stock	Hand	DCONMS	DMIN1	DMIN2	WF	WFs	LF	LFs	WT	Insert
PSC40-DSSNL27042-12	●	L	40	110	140	27	18.7	42	50.3	0.35	SN \odot 1204 $\odot\odot$
PSC40-DSSNR27042-12	●	R	40	110	140	27	18.7	42	50.3	0.35	
PSC50-DSSNL35052-12	●	L	50	110	165	35	26.7	52	60.3	0.70	
PSC50-DSSNR35052-12	●	R	50	110	165	35	26.7	52	60.3	0.70	
PSC63-DSSNL45056-12	●	L	63	110	190	45	36.7	56	64.3	1.12	
PSC63-DSSNR45056-12	●	R	63	110	190	45	36.7	56	64.3	1.12	

SPARE PARTS

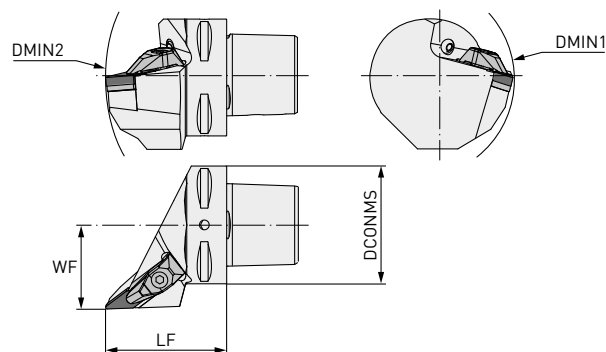
Tool holder type						
PSC40-DSSNL27042-12						
PSC40-DSSNR27042-12						
PSC50-DSSNL35052-12	MP1766	MPISSN-442	MP2712	MP1696	MP4295	MP5004
PSC50-DSSNR35052-12						
PSC63-DSSNL45056-12						
PSC63-DSSNR45056-12						

DVJN 93°

TOOL HOLDER FOR VERY SPECIFIC OPERATIONS EQUIPPED WITH RHOMBIC NEGATIVE DOUBLE-SIDED INSERTS



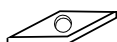
GAMF: -4°
GAMP: -13°



Order number	Stock	Hand	DCONMS	DMIN1	DMIN2	WF	LF	WT	Insert
PSC40-DVJNL27062-16	●	L	40	60	152	27	62	0.45	VN \odot 1604 \odot
PSC40-DVJNR27062-16	●	R	40	60	152	27	62	0.45	
PSC50-DVJNL35065-16	●	L	50	65	170	35	65	0.79	
PSC50-DVJNR35065-16	□	R	50	65	170	35	65	0.79	
PSC63-DVJNL45065-16	●	L	63	81	190	45	65	1.10	
PSC63-DVJNR45065-16	●	R	63	81	190	45	65	1.10	
PSC80-DVJNL55080-16	●	L	80	100	250	55	80	2.74	
PSC80-DVJNR55080-16	●	R	80	100	250	55	80	2.74	

SPARE PARTS

Tool holder type



PSC40-DVJNL27062-16

PSC40-DVJNR27062-16

PSC50-DVJNL35065-16

PSC50-DVJNR35065-16

PSC63-DVJNL45065-16

PSC63-DVJNR45065-16

PSC80-DVJNL55080-16

PSC80-DVJNR55080-16

MP1764

MPIVSN-322

MP2708

MP1695

MP4294

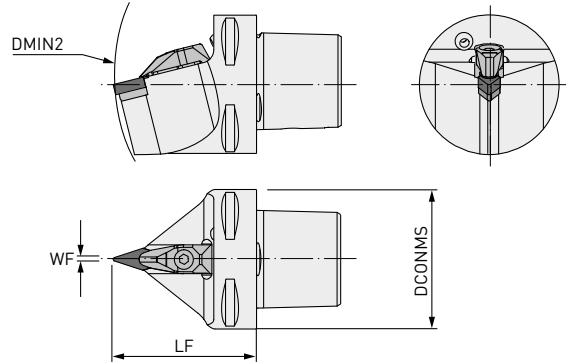
MP5004

DVNN 72° 30'

PROFILING TOOLHOLDER EQUIPPED WITH RHOMBIC NEGATIVE DOUBLE-SIDED INSERTS









GAMF: -4°
GAMP: -13°



Order number	Stock	DCON	DMIN2	WF	LF	WT	Insert
PSC40-DVNN00062-16	<input type="checkbox"/>	40	152	0.6	62	0.43	VN \odot 1604 \odot
PSC50-DVNN00065-16	<input type="checkbox"/>	50	170	0.6	65	0.80	
PSC63-DVNN00065-16	<input type="checkbox"/>	63	190	0.6	65	1.07	
PSC80-DVNN00080-16	<input type="checkbox"/>	80	250	0.6	80	2.32	

SPARE PARTS

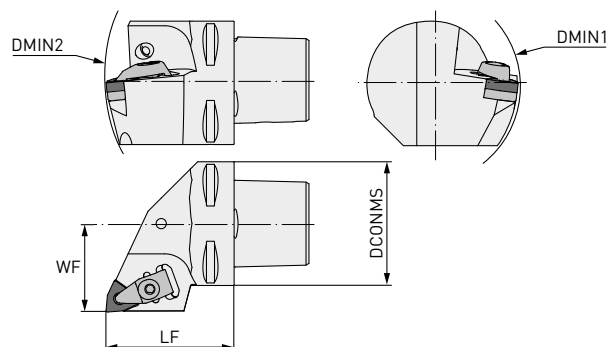
Tool holder type						
PSC40-DVNN00062-16						
PSC50-DVNN00065-16	MP1764	MPIVSN-322	MP2708	MP1695	MP4294	MP5004
PSC63-DVNN00065-16						
PSC80-DVNN00080-16						

DWLN 95°

MULTI-PURPOSE TOOL HOLDER EQUIPPED WITH TRIGONAL NEGATIVE DOUBLE-SIDED INSERTS



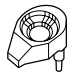





GAMF: -6°
GAMP: -6°



Order number	Stock	Hand	DCONMS	DMIN1	DMIN2	WF	LF	WT	Insert
PSC40-DWLN27050-06	●	L	40	60	140	27	50	0.42	WN00060400
PSC40-DWLN27050-06	●	R	40	60	140	27	50	0.42	
PSC50-DWLN35060-06	●	L	50	65	165	35	60	0.80	
PSC50-DWLN35060-06	●	R	50	65	165	35	60	0.80	
PSC40-DWLN27050-08	●	L	40	110	140	27	50	0.42	WN00080400
PSC40-DWLN27050-08	●	R	40	110	140	27	50	0.42	
PSC50-DWLN35060-08	●	L	50	110	165	35	60	0.80	
PSC50-DWLN35060-08	●	R	50	110	165	35	60	0.80	
PSC63-DWLN45065-08	●	L	63	110	190	45	65	1.10	
PSC63-DWLN45065-08	●	R	63	110	190	45	65	1.10	
PSC80-DWLN55080-08	●	L	80	110	250	55	80	2.74	
PSC80-DWLN55080-08	●	R	80	110	250	55	80	2.74	

SPARE PARTS

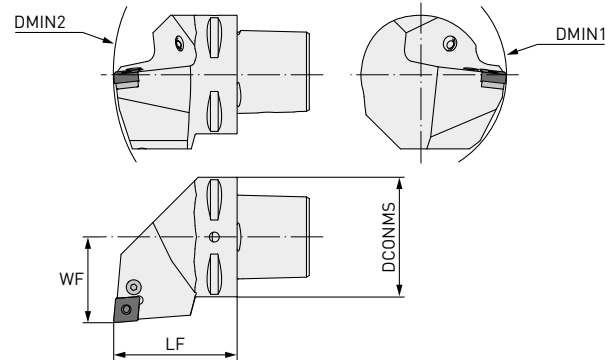
Tool holder type						
PSC40-DWLN27050-06	MP1764	MPIWSN-322	MP2708	MP1695	MP4294	MP5004
PSC40-DWLN27050-06	MP1764	MPIWSN-322	MP2708	MP1695	MP4294	
PSC50-DWLN35060-06	MP1764	MPIWSN-322	MP2708	MP1695	MP4294	
PSC50-DWLN35060-06	MP1764	MPIWSN-322	MP2708	MP1695	MP4294	
PSC40-DWLN27050-08	MP1766	MPIWSN-433	MP2712	MP1696	MP4295	
PSC40-DWLN27050-08	MP1766	MPIWSN-433	MP2712	MP1696	MP4295	
PSC50-DWLN35060-08	MP1766	MPIWSN-433	MP2712	MP1696	MP4295	
PSC50-DWLN35060-08	MP1766	MPIWSN-433	MP2712	MP1696	MP4295	
PSC63-DWLN45065-08	MP1766	MPIWSN-433	MP2712	MP1696	MP4295	
PSC63-DWLN45065-08	MP1766	MPIWSN-433	MP2712	MP1696	MP4295	
PSC80-DWLN55080-08	MP1766	MPIWSN-433	MP2712	MP1696	MP4295	
PSC80-DWLN55080-08	MP1766	MPIWSN-433	MP2712	MP1696	MP4295	

PCLN 95°

MULTI-PURPOSE TOOL HOLDER EQUIPPED WITH RHOMBIC NEGATIVE DOUBLE-SIDED INSERTS








GAMF: -6°
GAMP: -6°



Order number	Stock	Hand	DCON	DMIN1	DMIN2	WF	LF	WT	Insert
PSC40-PCLNL27050-12	●	L	40	110	140	27	50	0.42	
PSC40-PCLNR27050-12	●	R	40	110	140	27	50	0.42	
PSC50-PCLNL35060-12	●	L	50	110	165	35	60	0.80	
PSC50-PCLNR35060-12	●	R	50	110	165	35	60	0.80	
PSC63-PCLNL45065-12	●	L	63	110	190	45	65	1.10	CN00120400
PSC63-PCLNR45065-12	●	R	63	110	190	45	65	1.10	
PSC80-PCLNL55080-12	●	L	80	110	250	55	80	2.74	
PSC80-PCLNR55080-12	●	R	80	110	250	55	80	2.74	
PSC50-PCLNL35060-16	●	L	50	125	165	35	60	0.80	
PSC50-PCLNR35060-16	●	R	50	125	165	35	60	0.80	
PSC63-PCLNL45065-16	●	L	63	125	190	45	65	1.10	
PSC63-PCLNR45065-16	●	R	63	125	190	45	65	1.10	CN00160600
PSC80-PCLNL55080-16	●	L	80	125	250	55	80	2.74	
PSC80-PCLNR55080-16	●	R	80	125	250	55	80	2.74	
PSC63-PCLNL45065-19	●	L	63	125	190	45	65	1.10	
PSC63-PCLNR45065-19	●	R	63	125	190	45	65	1.10	
PSC80-PCLNL55080-19	●	L	80	125	250	55	80	2.74	CN00190600
PSC80-PCLNR55080-19	●	R	80	125	250	55	80	2.74	

SPARE PARTS

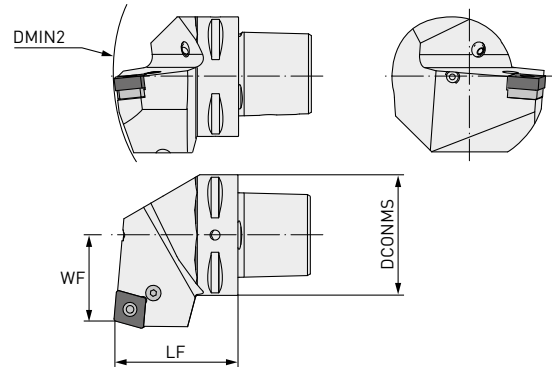
Tool holder type					
PSC40-PCLNL27050-12	MP8012	MP1608	MP5003	MP3612	MP4112
PSC40-PCLNR27050-12	MP8012	MP1608	MP5003	MP3612	MP4112
PSC50-PCLNL35060-12	MP8012	MP1608	MP5003	MP3612	MP4112
PSC50-PCLNR35060-12	MP8012	MP1608	MP5003	MP3612	MP4112
PSC63-PCLNL45065-12	MP8012	MP1608	MP5003	MP3612	MP4112
PSC63-PCLNR45065-12	MP8012	MP1608	MP5003	MP3612	MP4112
PSC80-PCLNL55080-12	MP8012	MP1608	MP5003	MP3612	MP4112
PSC80-PCLNR55080-12	MP8012	MP1608	MP5003	MP3612	MP4112
PSC50-PCLNL35060-16	MP8016	MP1618	MP5003	MP3616	MP4115
PSC50-PCLNR35060-16	MP8016	MP1618	MP5003	MP3616	MP4115
PSC63-PCLNL45065-16	MP8016	MP1618	MP5003	MP3616	MP4115
PSC63-PCLNR45065-16	MP8016	MP1618	MP5003	MP3616	MP4115
PSC80-PCLNL55080-16	MP8016	MP1618	MP5003	MP3616	MP4115
PSC80-PCLNR55080-16	MP8016	MP1618	MP5003	MP3616	MP4115
PSC63-PCLNL45065-19	MP8019	MP1610	MP5004	MP3619	MP4119
PSC63-PCLNR45065-19	MP8019	MP1610	MP5004	MP3619	MP4119
PSC80-PCLNL55080-19	MP8019	MP1610	MP5004	MP3619	MP4119
PSC80-PCLNR55080-19	MP8019	MP1610	MP5004	MP3619	MP4119

PCRN 75°

MULTI-PURPOSE TOOL HOLDER EQUIPPED WITH RHOMBIC NEGATIVE DOUBLE-SIDED INSERTS








GAMF: -6°
GAMP: -6°



Order number	Stock	Hand	DCONMS	DMIN2	WF	LF	WT	Insert
PSC63-PCRNL35065-16	●	L	63	190	35	65	1.40	CN00160600
PSC63-PCRR35065-16	●	R						
PSC63-PCRNL35065-19	●	L						CN00190600
PSC63-PCRR35065-19	●	R						

SPARE PARTS

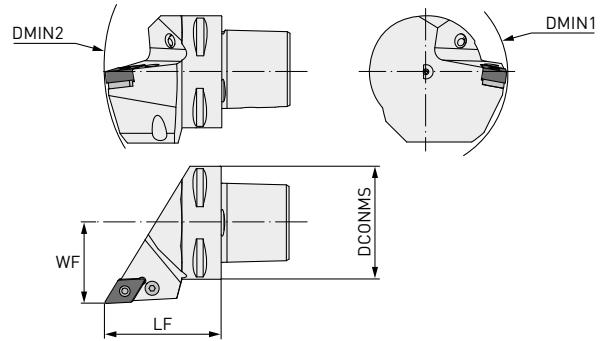
Tool holder type					
PSC63-PCRNL35065-16	MP8016	MP1618	MP5003	MP3616	MP4115
PSC63-PCRR35065-16	MP8016	MP1618	MP5003	MP3616	MP4115
PSC63-PCRNL35065-19	MP8019	MP1610	MP5004	MP3619	MP4119
PSC63-PCRR35065-19	MP8019	MP1610	MP5004	MP3619	MP4119

PDJN 93°

TURNING AND PROFILING TOOL HOLDER EQUIPPED WITH RHOMBIC NEGATIVE DOUBLE-SIDED INSERTS



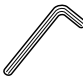




GAMF: -6°
GAMP: -7°



Order number	Stock	Hand	DCONMS	DMIN1	DMIN2	WF	LF	WT	Insert
PSC40-PDJNL27055-15	●	L	40	110	145	27	55	0.43	DN00150600
PSC40-PDJNR27055-15	●	R	40	110	145	27	55	0.43	
PSC50-PDJNL35060-15	●	L	50	110	165	35	60	0.80	
PSC50-PDJNR35060-15	●	R	50	110	165	35	60	0.80	
PSC63-PDJNL45065-15	□	L	63	110	190	45	65	1.10	
PSC63-PDJNR45065-15	●	R	63	110	190	45	65	1.10	
PSC80-PDJNL55080-15	●	L	80	110	250	55	80	2.74	
PSC80-PDJNR55080-15	●	R	80	110	250	55	80	2.74	

SPARE PARTS

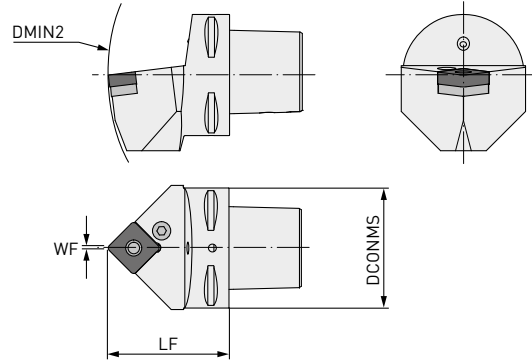
Tool holder type					
PSC40-PDJNL27055-15					
PSC40-PDJNR27055-15					
PSC50-PDJNL35060-15					
PSC50-PDJNR35060-15	MP8415	MP1638	MP5003	MP3715	MP4112
PSC63-PDJNL45065-15					
PSC63-PDJNR45065-15					
PSC80-PDJNL55080-15					
PSC80-PDJNR55080-15					

PSDN 45°

TOOL HOLDER FOR EXTERNAL TURNING AND CHAMFERING
EQUIPPED WITH SQUARE NEGATIVE DOUBLE-SIDED INSERTS



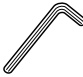




GAMF: -6°
GAMP: -6°



Order number	Stock	DCON	DMIN2	WF	LF	WT	Insert
PSC63-PSDNN00065-12	<input type="checkbox"/>	63	190	0.3	65	1.07	SN00120400
PSC63-PSDNN00065-15	<input type="checkbox"/>	63	190	0.5	65	1.07	SN00150600
PSC63-PSDNN00065-19	<input type="checkbox"/>	63	195	0.5	65	1.07	SN00190600

SPARE PARTS

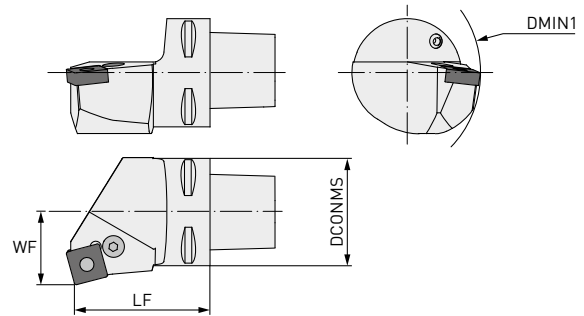
Tool holder type					
PSC63-PSDNN00065-12	MP8012	MP1608	MP5003	MP3512	MP4112
PSC63-PSDNN00065-15	MP8016	MP1618	MP5003	MP3515	MP4115
PSC63-PSDNN00065-19	MP8019	MP1610	MP5004	MP3519	MP4119

PSKN 75°

TOOL HOLDER FOR FACE TURNING EQUIPPED WITH SQUARE NEGATIVE DOUBLE-SIDED INSERTS








GAMF: -6°
GAMP: -6°



Order number	Stock	Hand	DCONMS	DMIN1	WF	LF	WT	Insert
PSC63-PSKNL45065-12	●	L	63	110	45	65	1.10	SN00120400
PSC63-PSKNR45065-12	●	R	63	110	45	65	1.10	
PSC63-PSKNL45065-19	□	L	63	125	45	65	1.10	SN00190600
PSC63-PSKNR45065-19	□	R	63	125	45	65	1.10	
PSC80-PSKNL55080-19	□	L	80	125	55	80	2.74	SN00250700
PSC80-PSKNR55080-19	□	R	80	125	55	80	2.74	
PSC80-PSKNL55080-25	□	L	80	150	55	80	2.74	SN00250700
PSC80-PSKNR55080-25	□	R	80	150	55	80	2.74	

SPARE PARTS

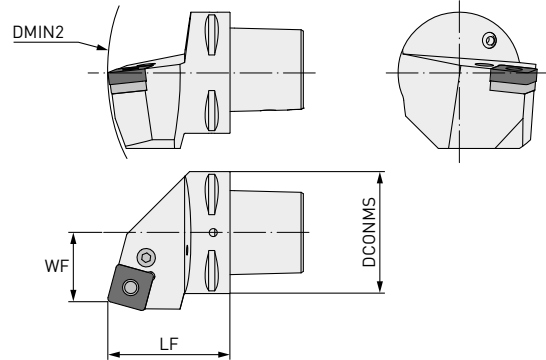
Tool holder type					
PSC63-PSKNL45065-12	MP8012	MP1608	MP5003	MP3512	MP4112
PSC63-PSKNR45065-12	MP8012	MP1608	MP5003	MP3512	MP4112
PSC63-PSKNL45065-19	MP8019	MP1610	MP5004	MP3519	MP4119
PSC63-PSKNR45065-19	MP8019	MP1610	MP5004	MP3519	MP4119
PSC80-PSKNL55080-19	MP8019	MP1610	MP5004	MP3519	MP4119
PSC80-PSKNR55080-19	MP8019	MP1610	MP5004	MP3519	MP4119
PSC80-PSKNL55080-25	MP8025	MP1612	MP5005	MP3525	MP4125
PSC80-PSKNR55080-25	MP8025	MP1612	MP5005	MP3525	MP4125

PSRN 75°

TOOL HOLDER FOR FACE TURNING EQUIPPED WITH SQUARE NEGATIVE DOUBLE-SIDED INSERTS



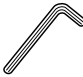




GAMF: -6°
GAMP: -6°



Order number	Stock	Hand	DCONMS	DMIN2	WF	LF	WT	Insert
PSC63-PSRNL35065-19	<input type="checkbox"/>	L	63	190	35	65	1.40	SN \odot 1906 \odot
PSC63-PSRNR35065-19	<input type="checkbox"/>	R	63	190	35	65	1.40	
PSC80-PSRNL45080-19	<input type="checkbox"/>	L	80	250	45	80	2.80	
PSC80-PSRNR45080-19	<input type="checkbox"/>	R	80	250	45	80	2.80	

SPARE PARTS

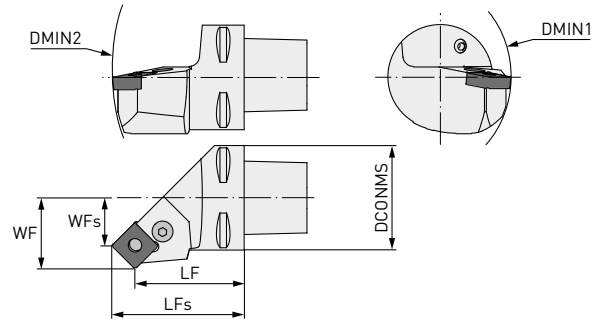
Tool holder type					
PSC63-PSRNL35065-19					
PSC63-PSRNR35065-19	MP8019	MP1610	MP5004	MP3519	MP4119
PSC80-PSRNL45080-19					
PSC80-PSRNR45080-19					

PSSN 45°

TOOL HOLDER FOR EXTERNAL TURNING AND CHAMFERING EQUIPPED WITH SQUARE NEGATIVE DOUBLE-SIDED INSERTS








GAMF: -8°
GAMP: 0°



Order number	Stock	Hand	DCONMS	DMIN1	DMIN2	WF	WFs	LF	LFs	WT	Insert
PSC63-PSSNL45052-19	●	L	63	125	190	45	32.5	52	64.5	1.13	SN□□1906□□
PSC63-PSSNR45052-19	●	R									

SPARE PARTS

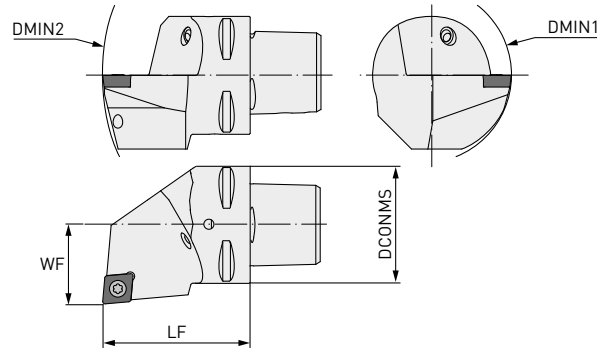
Tool holder type					
PSC63-PSSNL45052-19	MP8019	MP1610	MP5004	MP3519	MP4119
PSC63-PSSNR45052-19					

SCLC 95°

MULTI-PURPOSE TOOL HOLDER EQUIPPED WITH RHOMBIC POSITIVE INSERTS



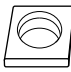



GAMF: 0°
GAMP: 0°



Order number	Stock	Hand	DCONMS	DMIN1	DMIN2	WF	LF	WT	Insert
PSC40-SCLCL27050-09	●	L	40	80	140	27	50	0.42	CC0009T300
PSC40-SCLCR27050-09	●	R	40	80	140	27	50	0.42	
PSC50-SCLCL35060-09	●	L	50	80	165	35	60	0.80	
PSC50-SCLCR35060-09	●	R	50	80	165	35	60	0.80	
PSC40-SCLCL27050-12	●	L	40	110	140	27	50	0.42	CC00120400
PSC40-SCLCR27050-12	●	R	40	110	140	27	50	0.42	
PSC50-SCLCL35060-12	●	L	50	110	165	35	60	0.80	
PSC50-SCLCR35060-12	●	R	50	110	165	35	60	0.80	
PSC63-SCLCL45065-12	●	L	63	110	190	45	65	1.10	
PSC63-SCLCR45065-12	●	R	63	110	190	45	65	1.10	

SPARE PARTS

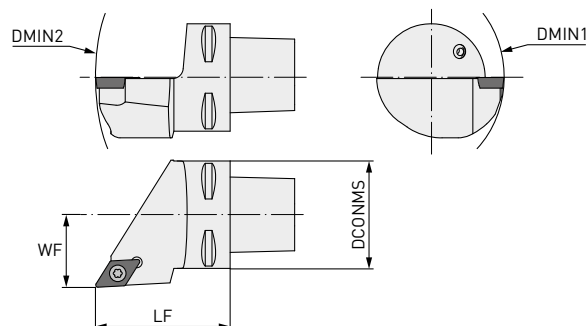
Tool holder type				
PSC40-SCLCL27050-09	MP1240	MP5515		
PSC40-SCLCR27050-09	MP1240	MP5515		
PSC50-SCLCL35060-09	MP1240	MP5515		
PSC50-SCLCR35060-09	MP1240	MP5515		
PSC40-SCLCL27050-12	MP1540	MP5517		
PSC40-SCLCR27050-12	MP1540	MP5517		
PSC50-SCLCL35060-12	MP1540	MP5517		
PSC50-SCLCR35060-12	MP1540	MP5517	MP3614	MP1760
PSC63-SCLCL45065-12	MP1540	MP5517		
PSC63-SCLCR45065-12	MP1540	MP5517		

SDJC 93°

MULTI-PURPOSE TOOL HOLDER EQUIPPED WITH RHOMBIC POSITIVE INSERTS



GAMF: 0°
GAMP: 0°



Order number	Stock	Hand	DCONMS	DMIN1	DMIN2	WF	Lf	WT	Insert
PSC40-SDJCL27050-11	●	L	40	110	140	27	50	0.42	
PSC40-SDJCR27050-11	●	R	40	110	140	27	50	0.42	
PSC50-SDJCL35060-11	●	L	50	110	165	35	60	0.80	DC0011T300
PSC50-SDJCR35060-11	●	R	50	110	165	35	60	0.80	
PSC63-SDJCL45065-11	●	L	63	110	190	45	65	1.10	
PSC63-SDJCR45065-11	●	R	63	110	190	45	65	1.10	

SPARE PARTS

Tool holder type



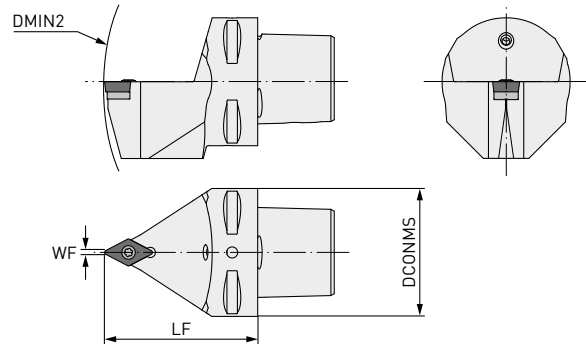
PSC40-SDJCL27050-11				
PSC40-SDJCR27050-11				
PSC50-SDJCL35060-11	MP1335			
PSC50-SDJCR35060-11		MP5516		
PSC63-SDJCL45065-11			MP3714	
PSC63-SDJCR45065-11				MP1750

SDNC 62° 30'

MULTI-PURPOSE PROFILING TOOL HOLDER EQUIPPED WITH RHOMBIC POSITIVE INSERTS







GAMF: 0°
GAMP: 0°



Order number	Stock	DCON	DMIN2	WF	LF	WT	Insert
PSC40-SDNCN00050-11	●	40	140	0.5	50	0.35	DC0011T300
PSC50-SDNCN00060-11	●	50	165	0.5	60	0.75	

SPARE PARTS

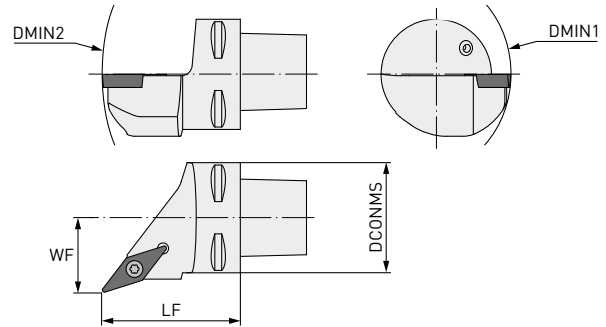
Tool holder type				
PSC40-SDNCN00050-11	MP1335	MP5516	MP3714	MP1750
PSC50-SDNCN00060-11				

SVHC 107° 30`

MULTI-PURPOSE PROFILING TOOL HOLDER EQUIPPED WITH RHOMBIC POSITIVE INSERTS







GAMF: 0°
GAMP: 0°



Order number	Stock	Hand	DCONMS	DMIN1	DMIN2	WF	LF	WT	Insert
PSC40-SVHCL27050-11	●	L	40	80	140	27	50	0.42	VC○○1103○○
PSC40-SVHCR27050-11	●	R	40	80	140	27	50	0.42	
PSC40-SVHCL27050-16	●	L	40	110	140	27	50	0.42	
PSC40-SVHCR27050-16	●	R	40	110	140	27	50	0.42	
PSC50-SVHCL35060-16	●	L	50	110	165	35	60	0.80	VC○○1604○○
PSC50-SVHCR35060-16	●	R	50	110	165	35	60	0.80	
PSC63-SVHCL45065-16	●	L	63	110	190	45	65	1.10	
PSC63-SVHCR45065-16	●	R	63	110	190	45	65	1.10	

SPARE PARTS

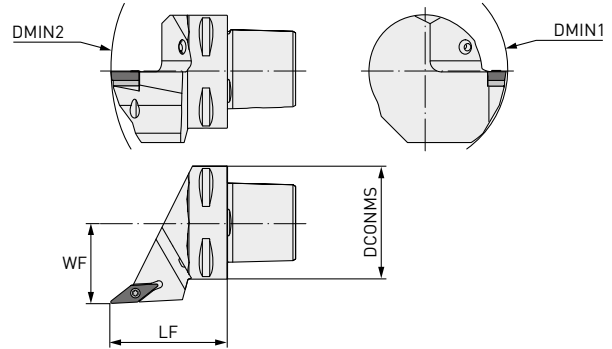
Tool holder type				
PSC40-SVHCL27050-11	MP1225	MP5507		
PSC40-SVHCR27050-11	MP1225	MP5507		
PSC40-SVHCL27050-16	MP1335	MP5516		
PSC40-SVHCR27050-16	MP1335	MP5516		
PSC50-SVHCL35060-16	MP1335	MP5516	MP3718	MP1750
PSC50-SVHCR35060-16	MP1335	MP5516		
PSC63-SVHCL45065-16	MP1335	MP5516		
PSC63-SVHCR45065-16	MP1335	MP5516		

SVJC 93°

MULTI-PURPOSE PROFILING TOOL HOLDER EQUIPPED WITH RHOMBIC POSITIVE INSERTS







GAMF: 0°
GAMP: 0°



Order number	Stock	Hand	DCON	DMIN1	DMIN2	WF	LF	WT	Insert
PSC40-SVJCL27050-11	●	L	40	80	145	27	50	0.42	VC00110300
PSC40-SVJCR27050-11	●	R	40	80	145	27	50	0.42	
PSC40-SVJCL27050-16	●	L	40	110	145	27	50	0.42	
PSC40-SVJCR27050-16	●	R	40	110	145	27	50	0.42	
PSC50-SVJCL35060-16	●	L	50	110	165	35	60	0.80	VC00160400
PSC50-SVJCR35060-16	●	R	50	110	165	35	60	0.80	
PSC63-SVJCL45065-16	●	L	63	110	190	45	65	1.10	
PSC63-SVJCR45065-16	●	R	63	110	190	45	65	1.10	

SPARE PARTS

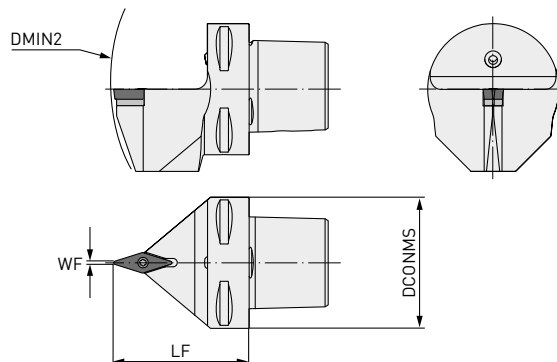
Tool holder type				
PSC40-SVJCL27050-11	MP1225	MP5507		
PSC40-SVJCR27050-11	MP1225	MP5507		
PSC40-SVJCL27050-16	MP1335	MP5516	MP3718	MP1750
PSC40-SVJCR27050-16	MP1335	MP5516	MP3718	MP1750
PSC50-SVJCL35060-16	MP1335	MP5516	MP3718	MP1750
PSC50-SVJCR35060-16	MP1335	MP5516	MP3718	MP1750
PSC63-SVJCL45065-16	MP1335	MP5516	MP3718	MP1750
PSC63-SVJCR45065-16	MP1335	MP5516	MP3718	MP1750

SVVC 72° 30`

MULTI-PURPOSE PROFILING TOOL HOLDER EQUIPPED WITH RHOMBIC POSITIVE INSERTS







GAMF: 0°
GAMP: 0°



Order number	Stock	DCONMS	DMIN2	WF	LF	WT	Insert
PSC40-SVVCN00050-11	<input type="checkbox"/>	40	140	0.3	50	0.35	VC00110300
PSC40-SVVCN00050-16	<input type="checkbox"/>	40	140	0.6	50	0.35	
PSC50-SVVCN00060-16	<input type="checkbox"/>	50	165	0.6	60	0.75	VC00160400
PSC63-SVVCN00065-16	<input type="checkbox"/>	63	190	0.6	65	1.07	

SPARE PARTS

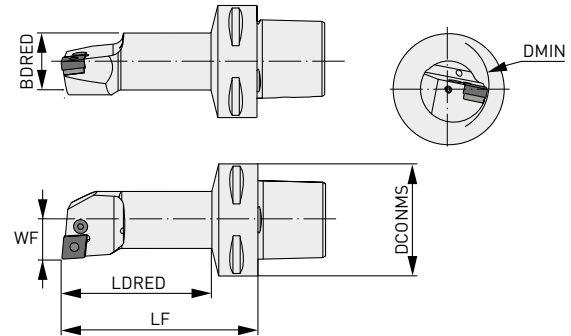
Tool holder type				
PSC40-SVVCN00050-11	MP1225	MP5507		
PSC40-SVVCN00050-16	MP1335	MP5516	MP3718	MP1750
PSC50-SVVCN00060-16	MP1335	MP5516	MP3718	MP1750
PSC63-SVVCN00065-16	MP1335	MP5516	MP3718	MP1750

PCLN 95°

BORING BAR FOR INTERNAL TURNING EQUIPPED WITH RHOMBIC NEGATIVE DOUBLE-SIDED INSERTS








GAMF: -6°



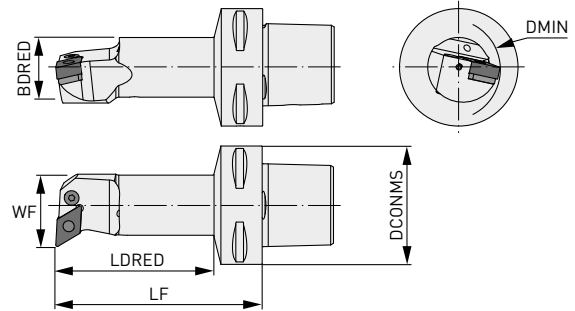
Order number	Stock	Hand	DCONMS	DMIN	BDRED	WF	LF	LDRED	GAMP	WT	Insert
PSC40-PCLNL13080-09	●	L	40	25	20	13	80	58	-11°	0.40	CN00090300
PSC40-PCLNR13080-09	●	R	40	25	20	13	80	58	-11°	0.40	
PSC50-PCLNL13080-09	●	L	50	25	20	13	80	56	-11°	0.57	
PSC50-PCLNR13080-09	●	R	50	25	20	13	80	56	-11°	0.57	
PSC40-PCLNL17090-12	●	L	40	32	25	17	90	69	-11°	0.48	CN00120400
PSC40-PCLNR17090-12	●	R	40	32	25	17	90	69	-11°	0.48	
PSC40-PCLNL22110-12	●	L	40	40	32	22	110	89	-11°	0.75	
PSC40-PCLNR22110-12	●	R	40	40	32	22	110	89	-11°	0.75	
PSC40-PCLNL27120-12	●	L	40	50	40	27	120	100	-11°	1.13	CN00160600
PSC40-PCLNR27120-12	●	R	40	50	40	27	120	100	-11°	1.13	
PSC50-PCLNL17090-12	●	L	50	32	25	17	90	67	-11°	0.70	CN00160600
PSC50-PCLNR17090-12	●	R	50	32	25	17	90	67	-11°	0.70	
PSC50-PCLNL22110-12	●	L	50	40	32	22	110	88	-11°	0.93	
PSC50-PCLNR22110-12	●	R	50	40	32	22	110	88	-11°	0.93	
PSC50-PCLNL27140-12	●	L	50	50	40	27	140	119	-10°	1.47	CN00160600
PSC50-PCLNR27140-12	●	R	50	50	40	27	140	119	-10°	1.47	
PSC50-PCLNL35100-12	●	L	50	63	50	35	100	81	-7°	1.48	CN00160600
PSC50-PCLNR35100-12	●	R	50	63	50	35	100	81	-7°	1.48	
PSC63-PCLNL17100-12	●	L	63	32	25	17	100	74	-11°	1	CN00160600
PSC63-PCLNR17100-12	●	R	63	32	25	17	100	74	-11°	1	
PSC63-PCLNL22110-12	●	L	63	40	32	22	110	84	-11°	1.26	
PSC63-PCLNR22110-12	●	R	63	40	32	22	110	84	-11°	1.26	
PSC50-PCLNL35150-16	●	L	50	63	50	35	150	131	-11°	2.25	CN00160600
PSC50-PCLNR35150-16	●	R	50	63	50	35	150	131	-11°	2.25	
PSC63-PCLNL27140-16	●	L	63	50	40	27	140	115	-11°	1.78	
PSC63-PCLNR27140-16	●	R	63	50	40	27	140	115	-11°	1.78	
PSC63-PCLNL35175-16	●	L	63	63	50	35	175	152	-11°	2.85	CN00160600
PSC63-PCLNR35175-16	●	R	63	63	50	35	175	152	-11°	2.85	

SPARE PARTS

Tool holder type					
PSC40-PCLNL13080-09	MP8005	MP1605	MP5002		
PSC40-PCLNR13080-09	MP8005	MP1605	MP5002		
PSC50-PCLNL13080-09	MP8005	MP1605	MP5002		
PSC50-PCLNR13080-09	MP8005	MP1605	MP5002		
PSC40-PCLNL17090-12	MP8212	MP1626	MP5025		
PSC40-PCLNR17090-12	MP8212	MP1626	MP5025		
PSC40-PCLNL22110-12	MP8312	MP1648	MP5003	MP3612	MP4112
PSC40-PCLNR22110-12	MP8312	MP1648	MP5003	MP3612	MP4112
PSC40-PCLNL27120-12	MP8012	MP1608	MP5003	MP3612	MP4112
PSC40-PCLNR27120-12	MP8012	MP1608	MP5003	MP3612	MP4112
PSC50-PCLNL17090-12	MP8212	MP1626	MP5025		
PSC50-PCLNR17090-12	MP8212	MP1626	MP5025		
PSC50-PCLNL22110-12	MP8312	MP1648	MP5003	MP3612	MP4112
PSC50-PCLNR22110-12	MP8312	MP1648	MP5003	MP3612	MP4112
PSC50-PCLNL27140-12	MP8012	MP1608	MP5003	MP3612	MP4112
PSC50-PCLNR27140-12	MP8012	MP1608	MP5003	MP3612	MP4112
PSC50-PCLNL35100-12	MP8012	MP1608	MP5003	MP3612	MP4112
PSC50-PCLNR35100-12	MP8012	MP1608	MP5003	MP3612	MP4112
PSC63-PCLNL17100-12	MP8212	MP1626	MP5025		
PSC63-PCLNR17100-12	MP8212	MP1626	MP5025		
PSC63-PCLNL22110-12	MP8312	MP1648	MP5003	MP3612	MP4112
PSC63-PCLNR22110-12	MP8312	MP1648	MP5003	MP3612	MP4112
PSC50-PCLNL35150-16	MP8016	MP1618	MP5003	MP3616	MP4115
PSC50-PCLNR35150-16	MP8016	MP1618	MP5003	MP3616	MP4115
PSC63-PCLNL27140-16	MP8016	MP1618	MP5003	MP3616	MP4115
PSC63-PCLNR27140-16	MP8016	MP1618	MP5003	MP3616	MP4115
PSC63-PCLNL35175-16	MP8016	MP1618	MP5003	MP3616	MP4115
PSC63-PCLNR35175-16	MP8016	MP1618	MP5003	MP3616	MP4115

PDUN 93°



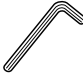


BORING BAR FOR INTERNAL TURNING AND PROFILING WITH RHOMBIC NEGATIVE DOUBLE-SIDED INSERTS



GAMF: -6°

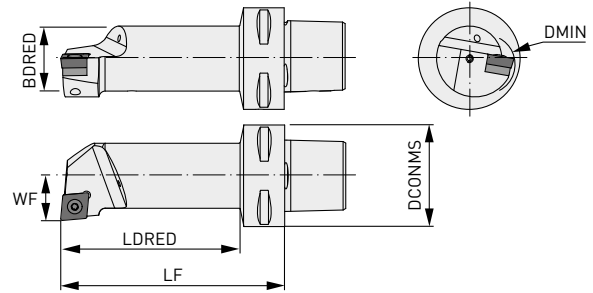
Order number	Stock	Hand	DCONMS	DMIN	BDRED	WF	LF	LDRED	GAMF	WT	Insert
PSC40-PDUNL17090-11	●	L	40	32	25	17	90	69	-11°	0.48	DN \odot 1104 $\odot\odot$
PSC40-PDUNR17090-11	●	R	40	32	25	17	90	69	-11°	0.48	
PSC40-PDUNL22110-11	●	L	40	40	32	22	110	89	-10°	0.75	
PSC40-PDUNR22110-11	●	R	40	40	32	22	110	89	-10°	0.75	
PSC50-PDUNL17090-11	●	L	50	32	25	17	90	67	-11°	0.70	
PSC50-PDUNR17090-11	●	R	50	32	25	17	90	67	-11°	0.70	
PSC50-PDUNL22110-11	●	L	50	40	32	22	110	88	-10°	0.93	
PSC50-PDUNR22110-11	●	R	50	40	32	22	110	88	-10°	0.93	
PSC63-PDUNL17100-11	●	L	63	32	25	17	100	74	-11°	1	
PSC63-PDUNR17100-11	●	R	63	32	25	17	100	74	-11°	1	
PSC40-PDUNL27080-15	●	L	40	50	40	27	80	60	-11°	0.74	
PSC40-PDUNR27080-15	●	R	40	50	40	27	80	60	-11°	0.74	
PSC40-PDUNL27120-15	●	L	40	50	40	27	120	100	-11°	1.13	
PSC40-PDUNR27120-15	●	R	40	50	40	27	120	100	-11°	1.13	
PSC50-PDUNL27140-15	●	L	50	50	40	27	140	119	-11°	1.47	
PSC50-PDUNR27140-15	●	R	50	50	40	27	140	119	-11°	1.47	
PSC50-PDUNL35150-15	●	L	50	63	50	35	150	131	-10°	2.25	DN \odot 1506 $\odot\odot$
PSC50-PDUNR35150-15	●	R	50	63	50	35	150	131	-10°	2.25	
PSC63-PDUNL22110-15	●	L	63	40	32	22	110	84	-12°	1.26	
PSC63-PDUNR22110-15	●	R	63	40	32	22	110	84	-12°	1.26	
PSC63-PDUNL27140-15	●	L	63	50	40	27	140	115	-11°	1.78	
PSC63-PDUNR27140-15	●	R	63	50	40	27	140	115	-11°	1.78	
PSC63-PDUNL35175-15	●	L	63	63	50	35	175	152	-10°	2.85	
PSC63-PDUNR35175-15	●	R	63	63	50	35	175	152	-10°	2.85	

SPARE PARTS

Tool holder type					
PSC40-PDUNL17090-11	MP8009	MP1606	MP5025	MP3711	MP4109
PSC40-PDUNR17090-11	MP8009	MP1606	MP5025	MP3711	MP4109
PSC40-PDUNL22110-11	MP8009	MP1606	MP5025	MP3711	MP4109
PSC40-PDUNR22110-11	MP8009	MP1606	MP5025	MP3711	MP4109
PSC50-PDUNL17090-11	MP8009	MP1606	MP5025	MP3711	MP4109
PSC50-PDUNR17090-11	MP8009	MP1606	MP5025	MP3711	MP4109
PSC50-PDUNL22110-11	MP8009	MP1606	MP5025	MP3711	MP4109
PSC50-PDUNR22110-11	MP8009	MP1606	MP5025	MP3711	MP4109
PSC63-PDUNL17100-11	MP8009	MP1606	MP5025	MP3711	MP4109
PSC63-PDUNR17100-11	MP8009	MP1606	MP5025	MP3711	MP4109
PSC40-PDUNL27080-15	MP8415	MP1638	MP5003	MP3715	MP4112
PSC40-PDUNR27080-15	MP8415	MP1638	MP5003	MP3715	MP4112
PSC40-PDUNL27120-15	MP8415	MP1638	MP5003	MP3715	MP4112
PSC40-PDUNR27120-15	MP8415	MP1638	MP5003	MP3715	MP4112
PSC50-PDUNL27140-15	MP8415	MP1638	MP5003	MP3715	MP4112
PSC50-PDUNR27140-15	MP8415	MP1638	MP5003	MP3715	MP4112
PSC50-PDUNL35150-15	MP8415	MP1638	MP5003	MP3715	MP4112
PSC50-PDUNR35150-15	MP8415	MP1638	MP5003	MP3715	MP4112
PSC63-PDUNL22110-15	MP8415	MP1638	MP5003	MP3715	MP4112
PSC63-PDUNR22110-15	MP8415	MP1638	MP5003	MP3715	MP4112
PSC63-PDUNL27140-15	MP8415	MP1638	MP5003	MP3715	MP4112
PSC63-PDUNR27140-15	MP8415	MP1638	MP5003	MP3715	MP4112
PSC63-PDUNL35175-15	MP8415	MP1638	MP5003	MP3715	MP4112
PSC63-PDUNR35175-15	MP8415	MP1638	MP5003	MP3715	MP4112

SCLC 95°



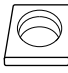

MULTI-PURPOSE BORING BAR EQUIPPED WITH RHOMBIC POSITIVE INSERTS



GAMF: 0°

Order number	Stock	Hand	DCONMS	DMIN	BORED	WF	LF	LDRED	GAMF	WT	Insert
PSC40-SCLCL11070-09	●	L	40	20	16	11	70	47	-12°	0.33	CC0009T300
PSC40-SCLCR11070-09	●	R	40	20	16	11	70	47	-12°	0.33	
PSC40-SCLCL13080-09	●	L	40	25	20	13	80	58	-8°	0.40	
PSC40-SCLCR13080-09	●	R	40	25	20	13	80	58	-8°	0.40	
PSC40-SCLCL17090-09	●	L	40	32	25	17	90	69	-6°	0.48	
PSC40-SCLCR17090-09	●	R	40	32	25	17	90	69	-6°	0.48	
PSC50-SCLCL11070-09	●	L	50	20	16	11	70	46	-12°	0.50	
PSC50-SCLCR11070-09	●	R	50	20	16	11	70	46	-12°	0.50	
PSC50-SCLCL13080-09	●	L	50	25	20	13	80	56	-8°	0.57	
PSC50-SCLCR13080-09	●	R	50	25	20	13	80	56	-8°	0.57	
PSC50-SCLCL17090-09	●	L	50	32	25	17	90	67	-6°	0.70	CC00120400
PSC50-SCLCR17090-09	●	R	50	32	25	17	90	67	-6°	0.70	
PSC50-SCLCL35100-09	●	L	50	63	49.7	35	100	81	-4°	1.48	CC00120400
PSC50-SCLCR35100-09	●	R	50	63	49.7	35	100	81	-4°	1.48	
PSC40-SCLCL22110-12	●	L	40	40	32	22	110	89	-10°	0.75	CC00120400
PSC40-SCLCR22110-12	●	R	40	40	32	22	110	89	-10°	0.75	
PSC50-SCLCL22110-12	●	L	50	40	32	22	110	88	-10°	0.93	
PSC50-SCLCR22110-12	●	R	50	40	32	22	110	88	-10°	0.93	
PSC50-SCLCL27140-12	●	L	50	50	40	27	140	119	-8°	1.47	
PSC50-SCLCR27140-12	●	R	50	50	40	27	140	119	-8°	1.47	
PSC50-SCLCL35100-12	●	L	50	63	49.7	35	100	80	-5°	1.48	
PSC50-SCLCR35100-12	●	R	50	63	49.7	35	100	80	-5°	1.48	

SPARE PARTS

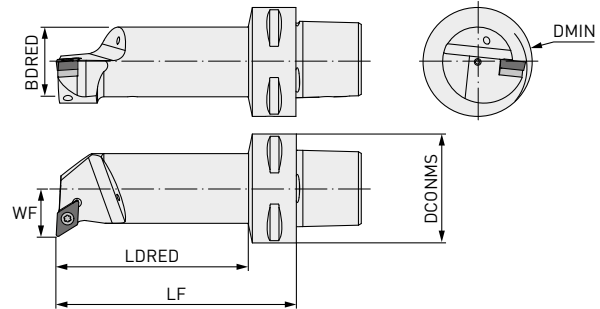
Tool holder type				
PSC40-SCLCL11070-09	MP1440	MP5515		
PSC40-SCLCR11070-09	MP1440	MP5515		
PSC40-SCLCL13080-09	MP1440	MP5515		
PSC40-SCLCR13080-09	MP1440	MP5515		
PSC40-SCLCL17090-09	MP1240	MP5515		
PSC40-SCLCR17090-09	MP1240	MP5515		
PSC50-SCLCL11070-09	MP1440	MP5515		
PSC50-SCLCR11070-09	MP1440	MP5515		
PSC50-SCLCL13080-09	MP1440	MP5515		
PSC50-SCLCR13080-09	MP1440	MP5515		
PSC50-SCLCL17090-09	MP1240	MP5515		
PSC50-SCLCR17090-09	MP1240	MP5515		
PSC50-SCLCL35100-09	MP1240	MP5515		
PSC50-SCLCR35100-09	MP1240	MP5515		
PSC40-SCLCL22110-12	MP1540	MP5517		
PSC40-SCLCR22110-12	MP1540	MP5517		
PSC50-SCLCL22110-12	MP1540	MP5517		
PSC50-SCLCL27140-12	MP1540	MP5517		
PSC50-SCLCL35100-12	MP1540	MP5517	MP3614	MP1760
PSC50-SCLCR22110-12	MP1540	MP5517		
PSC50-SCLCR27140-12	MP1540	MP5517		
PSC50-SCLCR35100-12	MP1540	MP5517		

SDUC 93°

MULTI-PURPOSE PROFILING BORING BAR EQUIPPED WITH RHOMBIC POSITIVE INSERTS



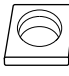



GAMF: 0°



Order number	Stock	Hand	DCONMS	DMIN	BDRED	WF	LF	LDRED	GAMP	WT	Insert
PSC40-SDUCL11070-07	●	L	40	20	16	11	70	47	-8°	0.33	DC00070200
PSC40-SDUCR11070-07	●	R	40	20	16	11	70	47	-8°	0.33	
PSC50-SDUCL11070-07	●	L	50	20	16	11	70	46	-8°	0.50	
PSC50-SDUCR11070-07	●	R	50	20	16	11	70	46	-8°	0.50	
PSC40-SDUCL13080-11	●	L	40	25	20	13	80	58	-6°	0.40	DC0011T300
PSC40-SDUCR13080-11	●	R	40	25	20	13	80	58	-6°	0.40	
PSC40-SDUCL17090-11	●	L	40	32	25	17	90	69	-6°	0.48	
PSC40-SDUCR17090-11	●	R	40	32	25	17	90	69	-6°	0.48	
PSC40-SDUCL22110-11	●	L	40	40	32	22	110	89	-6°	0.75	DC0011T300
PSC40-SDUCR22110-11	●	R	40	40	32	22	110	89	-6°	0.75	
PSC40-SDUCL27080-11	●	L	40	50	40	27	80	60	-6°	0.74	
PSC40-SDUCR27080-11	●	R	40	50	40	27	80	60	-6°	0.74	
PSC50-SDUCL13080-11	●	L	50	25	20	13	80	56	-6°	0.57	DC0011T300
PSC50-SDUCR13080-11	●	R	50	25	20	13	80	56	-6°	0.57	
PSC50-SDUCL17090-11	●	L	50	32	25	17	90	67	-6°	0.70	
PSC50-SDUCR17090-11	●	R	50	32	25	17	90	67	-6°	0.70	
PSC50-SDUCL22110-11	●	L	50	40	32	22	110	88	-6°	0.93	DC0011T300
PSC50-SDUCR22110-11	●	R	50	40	32	22	110	88	-6°	0.93	
PSC50-SDUCL35100-11	●	L	50	63	49.7	35	100	81	-4°	1.48	
PSC50-SDUCR35100-11	●	R	50	63	49.7	35	100	81	-4°	1.48	

SPARE PARTS

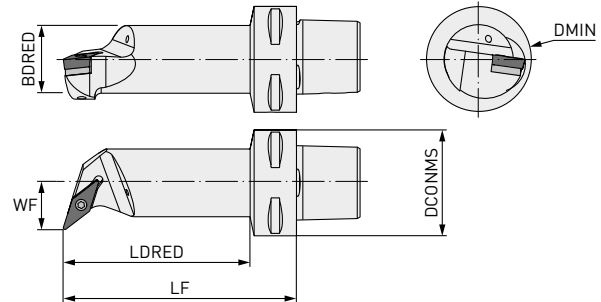
Tool holder type				
PSC40-SDUCL11070-07	MP1225	MP5507		
PSC40-SDUCR11070-07	MP1225	MP5507		
PSC50-SDUCL11070-07	MP1225	MP5507		
PSC50-SDUCR11070-07	MP1225	MP5507		
PSC40-SDUCL13080-11	MP1240	MP5515		
PSC40-SDUCR13080-11	MP1240	MP5515		
PSC40-SDUCL17090-11	MP1240	MP5515		
PSC40-SDUCR17090-11	MP1240	MP5515		
PSC40-SDUCL22110-11	MP1335	MP5516	MP3714	MP1750
PSC40-SDUCR22110-11	MP1335	MP5516	MP3714	MP1750
PSC40-SDUCL27080-11	MP1335	MP5516	MP3714	MP1750
PSC40-SDUCR27080-11	MP1335	MP5516	MP3714	MP1750
PSC50-SDUCL13080-11	MP1240	MP5515		
PSC50-SDUCR13080-11	MP1240	MP5515		
PSC50-SDUCL17090-11	MP1240	MP5515		
PSC50-SDUCR17090-11	MP1240	MP5515		
PSC50-SDUCL22110-11	MP1335	MP5516	MP3714	MP1750
PSC50-SDUCR22110-11	MP1335	MP5516	MP3714	MP1750
PSC50-SDUCL35100-11	MP1335	MP5516	MP3714	MP1750
PSC50-SDUCR35100-11	MP1335	MP5516	MP3714	MP1750

SVQC 107° 30`

MULTI-PURPOSE PROFILING BORING BAR EQUIPPED WITH RHOMBIC POSITIVE INSERTS



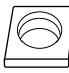



GAMF: 0°
GAMP: -8°



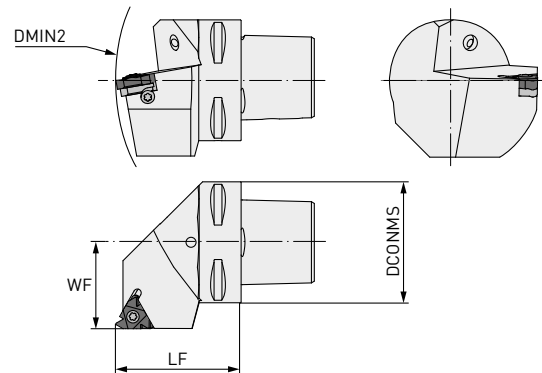
Order number	Stock	Hand	DCONMS	DMIN	BDRED	WF	LF	LDRED	WT	Insert
PSC63-SVQCL22120-16	●	L	63	40	32	22	120	94	1.28	VC \odot 1604 \odot
PSC63-SVQCR22120-16	●	R	63	40	32	22	120	94	1.28	
PSC63-SVQCL27145-16	●	L	63	50	40	27	145	120	1.78	
PSC63-SVQCR27145-16	●	R	63	50	40	27	145	120	1.78	
PSC63-SVQCL35175-16	●	L	63	63	50	35	175	152	2.85	
PSC63-SVQCR35175-16	●	R	63	63	50	35	175	152	2.85	

SPARE PARTS

Tool holder type				
PSC63-SVQCL22120-16	MP1335	MP5516	MP3718	MP1750
PSC63-SVQCL27145-16				
PSC63-SVQCL35175-16				
PSC63-SVQCR22120-16				
PSC63-SVQCR27145-16				
PSC63-SVQCR35175-16				






EXTERNAL THREADING 90°

MULTI-PURPOSE THREADING TOOL HOLDER FOR NEGATIVE THREADING INSERTS



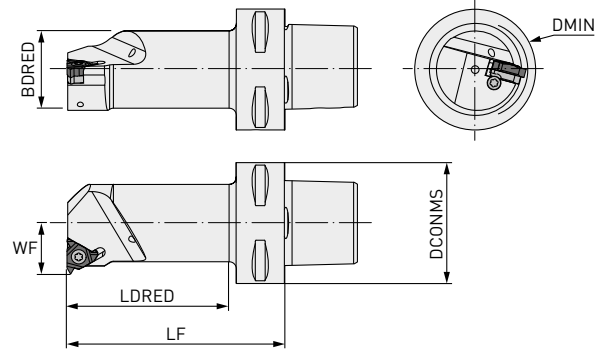
Order number	Stock	Hand	DCONMS	DMIN2	WF	LF	WT	Insert
PSC40-SEL27050-16	<input type="checkbox"/>	L	40	140	27	50	0.42	MMT16E $\odot\odot$
PSC40-SER27050-16	<input checked="" type="checkbox"/>	R	40	140	27	50	0.42	
PSC50-SEL35060-16	<input type="checkbox"/>	L	50	165	35	60	0.80	
PSC50-SER35060-16	<input checked="" type="checkbox"/>	R	50	165	35	60	0.80	
PSC63-SEL45065-16	<input type="checkbox"/>	L	63	190	45	65	1.10	
PSC63-SER45065-16	<input checked="" type="checkbox"/>	R	63	190	45	65	1.10	
PSC40-SEL27050-22	<input type="checkbox"/>	L	40	140	27	50	0.42	MMT22E $\odot\odot$
PSC40-SER27050-22	<input checked="" type="checkbox"/>	R	40	140	27	50	0.42	
PSC50-SEL35060-22	<input type="checkbox"/>	L	50	165	35	60	0.80	
PSC50-SER35060-22	<input checked="" type="checkbox"/>	R	50	165	35	60	0.80	
PSC63-SEL45065-22	<input type="checkbox"/>	L	63	190	45	65	1.10	
PSC63-SER45065-22	<input checked="" type="checkbox"/>	R	63	190	45	65	1.10	

SPARE PARTS

Tool holder type					
PSC40-SEL27050-16	MPSA3	MP5510	MPYI3	MPYE3	MPSY3
PSC40-SER27050-16	MPSA3	MP5510	MPYI3	MPYE3	MPSY3
PSC50-SEL35060-16	MPSA3	MP5510	MPYI3	MPYE3	MPSY3
PSC50-SER35060-16	MPSA3	MP5510	MPYI3	MPYE3	MPSY3
PSC63-SEL45065-16	MPSA3	MP5510	MPYI3	MPYE3	MPSY3
PSC63-SER45065-16	MPSA3	MP5510	MPYI3	MPYE3	MPSY3
PSC40-SEL27050-22	MPSA4	MP5520	MPYI4	MPYE4	MPSY4
PSC40-SER27050-22	MPSA4	MP5520	MPYI4	MPYE4	MPSY4
PSC50-SEL35060-22	MPSA4	MP5520	MPYI4	MPYE4	MPSY4
PSC50-SER35060-22	MPSA4	MP5520	MPYI4	MPYE4	MPSY4
PSC63-SEL45065-22	MPSA4	MP5520	MPYI4	MPYE4	MPSY4
PSC63-SER45065-22	MPSA4	MP5520	MPYI4	MPYE4	MPSY4

INTERNAL THREADING 90°

MULTI-PURPOSE THREADING TOOL HOLDER FOR NEGATIVE THREADING INSERTS








Order number	Stock	Hand	DCONMS	DMIN	WF	LF	BDRED	LDRED	WT	Insert
PSC40-SIL12060-16	□	L	40	20	12	60	15.5	37	0.30	MMT161 ¹⁰⁰
PSC40-SIR12060-16	●	R	40	20	12	60	15.5	37	0.30	
PSC40-SIL14060-16	□	L	40	25	14	60	18.5	38	0.34	
PSC40-SIR14060-16	●	R	40	25	14	60	18.5	38	0.34	
PSC40-SIL17070-16	□	L	40	32	17	70	24.5	48	0.41	
PSC40-SIR17070-16	●	R	40	32	17	70	24.5	48	0.41	
PSC40-SIL22090-16	□	L	40	40	22	90	32	69	0.65	
PSC40-SIR22090-16	●	R	40	40	22	90	35	69	0.65	
PSC40-SIL27080-16	□	L	40	50	27	80	39.5	60	0.76	
PSC40-SIR27080-16	●	R	40	50	27	80	39.5	60	0.76	
PSC50-SIL12060-16	□	L	50	20	12	60	15.5	35	0.49	
PSC50-SIR12060-16	●	R	50	20	12	60	15.5	35	0.49	
PSC50-SIL14060-16	□	L	50	25	14	60	18.5	36	0.51	
PSC50-SIR14060-16	●	R	50	25	14	60	18.5	36	0.51	
PSC50-SIL17070-16	□	L	50	32	17	70	24.5	47	0.59	
PSC50-SIR17070-16	●	R	50	32	17	70	24.5	47	0.59	
PSC50-SIL22090-16	□	L	50	40	22	90	24.5	68	0.82	
PSC50-SIR22090-16	●	R	50	40	22	90	24.5	68	0.82	
PSC50-SIL27105-16	□	L	50	50	27	105	40	84	1.20	
PSC50-SIR27105-16	●	R	50	50	27	105	40	84	1.20	
PSC63-SIL14070-16	□	L	63	25	14	70	18.5	42	0.90	
PSC63-SIR14070-16	●	R	63	25	14	70	18.5	42	0.90	
PSC63-SIL17075-16	□	L	63	32	17	75	24.5	48	0.97	
PSC63-SIR17075-16	●	R	63	32	17	75	24.5	48	0.97	
PSC63-SIL22090-16	□	L	63	40	22	90	32	64	1.14	
PSC63-SIR22090-16	●	R	63	40	22	90	32	64	1.14	
PSC63-SIL27105-16	□	L	63	50	27	105	40	80	1.20	
PSC63-SIR27105-16	●	R	63	50	27	105	40	80	1.20	
PSC40-SIL15065-22	□	L	40	25	15	65	18.5	42	0.35	
PSC40-SIR15065-22	●	R	40	25	15	65	18.5	42	0.35	
PSC40-SIL19070-22	□	L	40	32	19	70	25	48	0.42	
PSC40-SIR19070-22	●	R	40	32	19	70	25	48	0.42	






INTERNAL THREADING 90°

Order number	Stock	Hand	DCONMS	DMIN	WF	LF	BDRED	LDRED	WT	Insert
PSC40-SIL22090-22	☐	L	40	40	22	90	31.5	69	0.65	
PSC40-SIR22090-22	●	R	40	40	22	90	31.5	69	0.65	
PSC40-SIL27080-22	☐	L	40	50	27	80	39.5	60	0.76	
PSC40-SIR27080-22	●	R	40	50	27	80	39.5	60	0.76	
PSC50-SIL15065-22	☐	L	50	25	15	65	18.5	41	0.35	
PSC50-SIR15065-22	●	R	50	25	15	65	18.5	41	0.35	
PSC50-SIL19070-22	☐	L	50	32	19	70	25	48	0.60	
PSC50-SIR19070-22	●	R	50	32	19	70	25	48	0.60	
PSC50-SIL22090-22	☐	L	50	40	22	90	31.5	68	0.82	MMT22100
PSC50-SIR22090-22	●	R	50	40	22	90	31.5	68	0.82	
PSC50-SIL27105-22	☐	L	50	50	27	105	40	84	1.20	
PSC50-SIR27105-22	●	R	50	50	27	105	40	84	1.20	
PSC63-SIL19075-22	☐	L	63	32	19	75	25	48	0.97	
PSC63-SIR19075-22	●	R	63	32	19	75	25	48	0.97	
PSC63-SIL22090-22	☐	L	63	40	22	90	31.5	64	1.14	
PSC63-SIR22090-22	●	R	63	40	22	90	31.5	64	1.14	
PSC63-SIL27105-22	☐	L	63	50	27	105	40	80	1.50	
PSC63-SIR27105-22	●	R	63	50	27	105	40	80	1.50	

SPARE PARTS

Tool holder type					
PSC40-SIL12060-16	MPSN3	MP5510	—	—	
PSC40-SIR12060-16	MPSN3	MP5510	—	—	
PSC40-SIL14060-16	MPSA3T	MP5510	MPYE3	MPYI3	MPSY3
PSC40-SIR14060-16	MPSA3T	MP5510	MPYE3	MPYI3	MPSY3
PSC40-SIL17070-16	MPSA3	MP5510	MPYE3	MPYI3	MPSY3
PSC40-SIR17070-16	MPSA3	MP5510	MPYE3	MPYI3	MPSY3
PSC40-SIL22090-16	MPSA3	MP5510	MPYE3	MPYI3	MPSY3
PSC40-SIR22090-16	MPSA3	MP5510	MPYE3	MPYI3	MPSY3
PSC40-SIL27080-16	MPSA3	MP5510	MPYE3	MPYI3	MPSY3
PSC40-SIR27080-16	MPSA3	MP5510	MPYE3	MPYI3	MPSY3
PSC50-SIL12060-16	MPSN3	MP5510	—	—	
PSC50-SIR12060-16	MPSN3	MP5510	—	—	
PSC50-SIL14060-16	MPSA3T	MP5510	MPYE3	MPYI3	MPSY3
PSC50-SIR14060-16	MPSA3T	MP5510	MPYE3	MPYI3	MPSY3
PSC50-SIL17070-16	MPSA3	MP5510	MPYE3	MPYI3	MPSY3
PSC50-SIR17070-16	MPSA3	MP5510	MPYE3	MPYI3	MPSY3
PSC50-SIL22090-16	MPSA3	MP5510	MPYE3	MPYI3	MPSY3
PSC50-SIR22090-16	MPSA3	MP5510	MPYE3	MPYI3	MPSY3
PSC50-SIL27105-16	MPSA3	MP5510	MPYE3	MPYI3	MPSY3
PSC50-SIR27105-16	MPSA3	MP5510	MPYE3	MPYI3	MPSY3
PSC63-SIL14070-16	MPSA3T	MP5510	MPYE3	MPYI3	MPSY3
PSC63-SIR14070-16	MPSA3T	MP5510	MPYE3	MPYI3	MPSY3

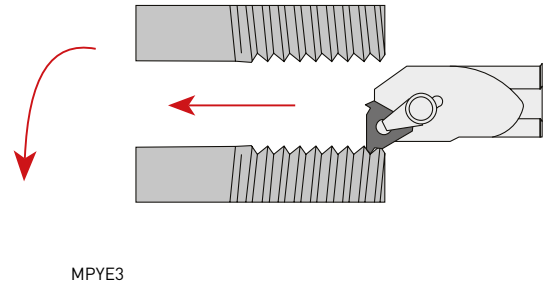
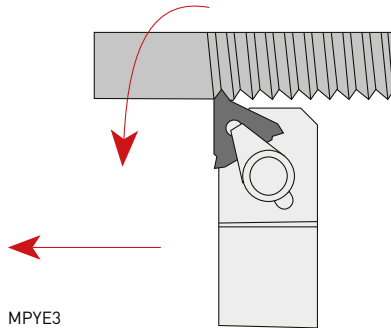
INTERNAL THREADING 90°
SPARE PARTS

Tool holder type			 	
PSC63-SIL17075-16	MPSA3	MP5510	MPYE3	MPSY3
PSC63-SIR17075-16	MPSA3	MP5510	MPYI3	MPSY3
PSC63-SIL22090-16	MPSA3	MP5510	MPYE3	MPSY3
PSC63-SIR22090-16	MPSA3	MP5510	MPYI3	MPSY3
PSC63-SIL27105-16	MPSA3	MP5510	MPYE3	MPSY3
PSC63-SIR27105-16	MPSA3	MP5510	MPYI3	MPSY3
PSC40-SIL15065-22	MPSN4	MP5520	—	
PSC40-SIR15065-22	MPSN4	MP5520	—	
PSC40-SIL19070-22	MPSA4	MP5520	MPYE4	MPSY4
PSC40-SIR19070-22	MPSA4	MP5520	MPYI4	MPSY4
PSC40-SIL22090-22	MPSA4	MP5520	MPYE4	MPSY4
PSC40-SIR22090-22	MPSA4	MP5520	MPYI4	MPSY4
PSC40-SIL27080-22	MPSA4	MP5520	MPYE4	MPSY4
PSC40-SIR27080-22	MPSA4	MP5520	MPYI4	MPSY4
PSC50-SIL15065-22	MPSN4	MP5520	—	
PSC50-SIR15065-22	MPSN4	MP5520	—	
PSC50-SIL19070-22	MPSA4	MP5520	MPYE4	MPSY4
PSC50-SIR19070-22	MPSA4	MP5520	MPYI4	MPSY4
PSC50-SIL22090-22	MPSA4	MP5520	MPYE4	MPSY4
PSC50-SIR22090-22	MPSA4	MP5520	MPYI4	MPSY4
PSC50-SIL27105-22	MPSA4	MP5520	MPYE4	MPSY4
PSC50-SIR27105-22	MPSA4	MP5520	MPYI4	MPSY4
PSC63-SIL19075-22	MPSA4	MP5520	MPYE4	MPSY4
PSC63-SIR19075-22	MPSA4	MP5520	MPYI4	MPSY4
PSC63-SIL22090-22	MPSA4	MP5520	MPYE4	MPSY4
PSC63-SIR22090-22	MPSA4	MP5520	MPYI4	MPSY4
PSC63-SIL27105-22	MPSA4	MP5520	MPYE4	MPSY4
PSC63-SIR27105-22	MPSA4	MP5520	MPYI4	MPSY4

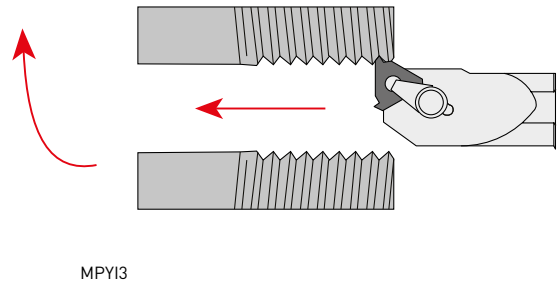
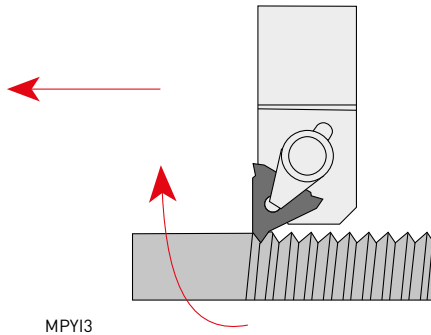
THREADING

HELIX CHART

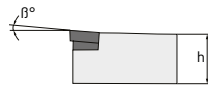
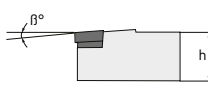
RIGHT HAND THREAD / TOOL

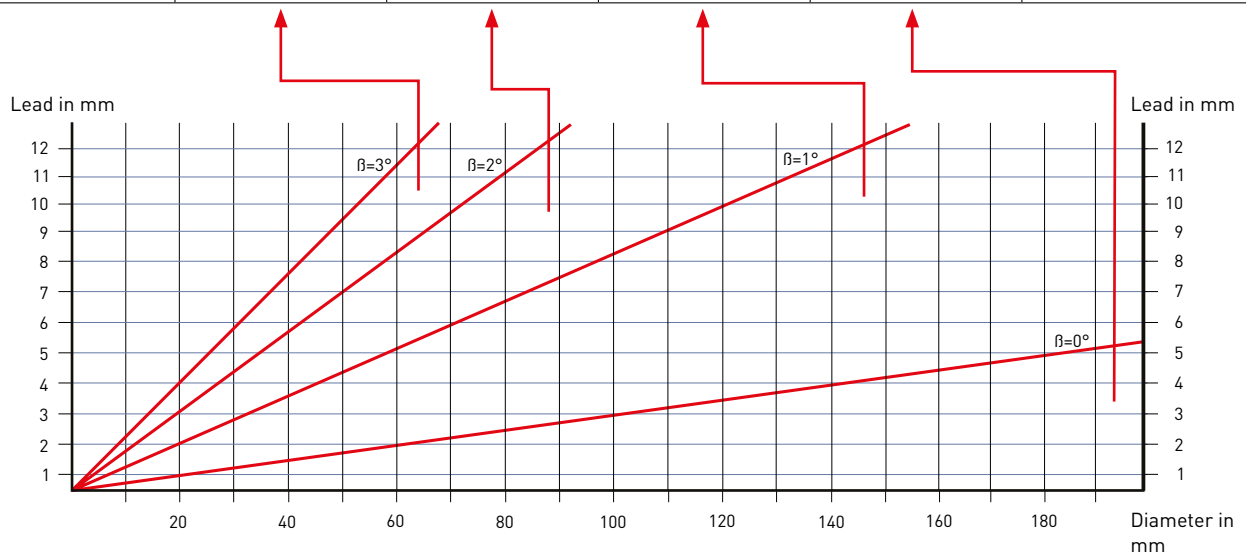


LEFT HAND THREAD / TOOL



SHIM TO GIVE CORRECT HELIX

Insert size	+3°	+2°	+1°	0°	
MMT16E	MP3424P3	MP3424P2	MP3424P1	MPYE3	
MMT16I	MP3425P3	MP3425P2	MP3425P1	MPYI3	
Insert size	-3°	-2°	-1°	0°	
MMT16E	MP3424M3	MP3424M2	MP3424M1	MPYE3	
MMT16I	MP3425M3	MP3425M2	MP3425M1	MPYI3	

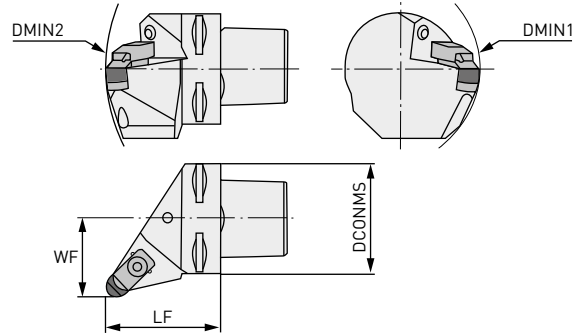


CRSN

PROFILING MULTI-PURPOSE TURNING TOOL HOLDER EQUIPPED WITH ROUND NEGATIVE DOUBLE-SIDED INSERTS



GAMF: -6°
GAMP: -6°



Order number	Stock	Hand	DCONMS	DMIN1	DMIN2	LF	WF	WT	Insert
PSC40-CRSNL27050-124	●	L	40	110	140	50	27	0.42	RNGN1204 ^{○○}
PSC40-CRSNR27050-124	●	R	40	110	140	50	27	0.42	
PSC50-CRSNL35060-124	●	L	50	110	165	60	35	0.80	
PSC50-CRSNR35060-124	●	R	50	110	165	60	35	0.80	
PSC63-CRSNL45065-124	●	L	63	110	190	65	45	1.10	
PSC63-CRSNR45065-124	●	R	63	110	190	65	45	1.10	
PSC40-CRSNL27050-127	●	L	40	110	140	50	27	0.42	RNGN1207 ^{○○}
PSC40-CRSNR27050-127	●	R	40	110	140	50	27	0.42	
PSC50-CRSNL35060-127	●	L	50	110	165	60	35	0.80	
PSC50-CRSNR35060-127	●	R	50	110	165	60	35	0.80	
PSC63-CRSNL45065-127	●	L	63	110	190	65	45	1.10	
PSC63-CRSNR45065-127	●	R	63	110	190	65	45	1.10	

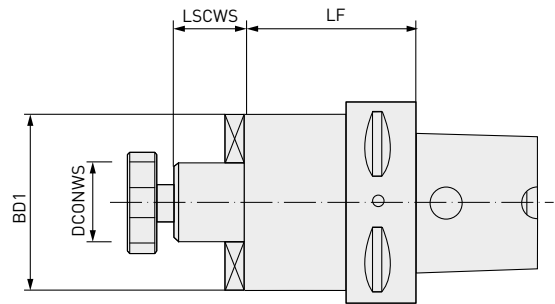
SPARE PARTS

Tool holder type							
PSC40-CRSNL27050-124	MPIRSN44						
PSC40-CRSNR27050-124	MPIRSN44						
PSC50-CRSNL35060-124	MPIRSN44						
PSC50-CRSNR35060-124	MPIRSN44						
PSC63-CRSNL45065-124	MPIRSN44						
PSC63-CRSNR45065-124	MPIRSN44						
PSC40-CRSNL27050-127	MPIRSN42		MP1766	MP9414	MP2713	MP1086	MP5004
PSC40-CRSNR27050-127	MPIRSN42						
PSC50-CRSNL35060-127	MPIRSN42						
PSC50-CRSNR35060-127	MPIRSN42						
PSC63-CRSNL45065-127	MPIRSN42						
PSC63-CRSNR45065-127	MPIRSN42						

MA TYPE ADAPTOR


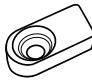

SHELL MILL ADAPTOR

FOR CUTTERS WITH DRIVE SLOT – DIN 138



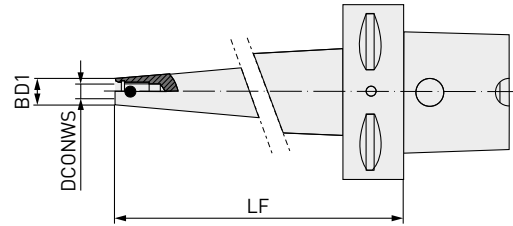
Order number	Stock	PSC	DCONWS	LF	LSCWS	BD1
PSC63-MA-16063	●	63	16	63	17	37
PSC63-MA-22100	●	63	22	100	19	47
PSC63-MA-27100	●	63	27	100	21	58
PSC63-MA-32100	●	63	32	100	24	63

SPARE PARTS

Tool holder type			
PSC63-MA-16063	MP10008	MP86016	MP11103
PSC63-MA-22100	MP10010	MP86022	MP11004
PSC63-MA-27100	MP10012	MP86027	MP11005
PSC63-MA-32100	MP10016	MP86032	MP11005

MS TYPE SCREWED SHANK

ADAPTOR FOR SCREW IN TYPE MILLING CUTTERS

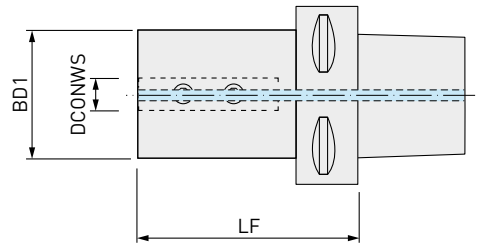


Order number	Stock	PSC	LF	DCONWS	BD1
PSC63-MS-10090	●	63	90	M10	18
PSC63-MS-12100	●	63	100	M12	21
PSC63-MS-16100	●	63	100	M16	29

B-TYPE BORING BAR HOLDER

BORING BAR HOLDERS

PSC ISO 26623-1



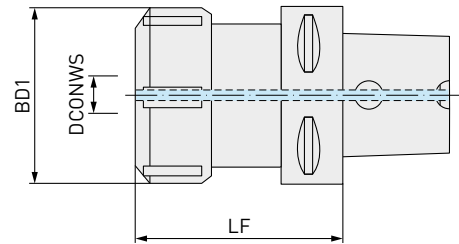
Order number	Stock	PSC	DCONWS	LF	BD1
PSC40-B-08050	●	50	08	50	44
PSC40-B-10050	●	40	10	50	44
PSC40-B-12050	●	40	12	50	44
PSC40-B-16050	●	40	16	50	44
PSC40-B-20050	●	40	20	50	44
PSC40-B-25060	●	40	25	60	50
PSC50-B-08052	●	50	08	52	44
PSC50-B-10052	●	50	10	52	44
PSC50-B-12052	●	50	12	52	44
PSC50-B-16052	●	50	16	52	44
PSC50-B-20052	●	50	20	52	50
PSC50-B-25060	●	50	25	60	55
PSC63-B-08060	●	63	08	60	44
PSC63-B-10060	●	63	10	60	44
PSC63-B-12060	●	63	12	60	44
PSC63-B-16060	●	63	16	60	44
PSC63-B-20060	●	63	20	60	50
PSC63-B-25072	●	63	25	72	55
PSC63-B-32075	●	63	32	75	55
PSC63-B-40085	●	63	40	85	65
PSC80-B-16085	□	80	16	85	44
PSC80-B-20085	□	80	20	85	50
PSC80-B-25085	□	80	25	85	55
PSC80-B-32085	□	80	32	85	72
PSC80-B-40095	□	80	40	95	65
PSC80-B-50100	□	80	50	100	75

B-TYPE BORING BAR HOLDER
SPARE PARTS
Tool holder type


PSC40-B-08050	MP14206
PSC40-B-10050	MP14208
PSC40-B-12050	MP14208
PSC40-B-16050	MP14210
PSC40-B-20050	MP14210
PSC40-B-25060	MP14210
PSC50-B-08052	MP14206
PSC50-B-10052	MP14208
PSC50-B-12052	MP14208
PSC50-B-16052	MP14210
PSC50-B-20052	MP14210
PSC50-B-25060	MP14210
PSC63-B-08060	MP14206
PSC63-B-10060	MP14208
PSC63-B-12060	MP14208
PSC63-B-16060	MP14210
PSC63-B-20060	MP14210
PSC63-B-25072	MP14210
PSC63-B-32075	MP14210
PSC63-B-40085	MP14210
PSC80-B-16085	MP14210
PSC80-B-20085	MP14210
PSC80-B-25085	MP14210
PSC80-B-32085	MP17110
PSC80-B-40095	MP14210
PSC80-B-50100	MP14210

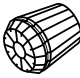


C-TYPE COLLET CHUCKS

COLLET CHUCKS FOR DIN 6499 (ERC) COLLETS FOR TOOLS WITH CYLINDRICAL SHANK DIN 1835-A



Order number	Stock	PSC	LF	DCONWS	BD1
PSC40-C-16060	<input type="checkbox"/>	40	60	0.5-10	28
PSC40-C-20060	<input type="checkbox"/>	40	60	1-13	34
PSC40-C-25060	<input type="checkbox"/>	40	60	1-16	42
PSC40-C-32060	<input type="checkbox"/>	40	60	2-20	50
PSC50-C-16060	<input type="checkbox"/>	50	60	0.5-10	28
PSC50-C-16100	<input type="checkbox"/>	50	100	0.5-10	28
PSC50-C-20060	<input type="checkbox"/>	50	60	1-13	34
PSC50-C-20100	<input type="checkbox"/>	50	100	1-13	34
PSC50-C-25060	<input type="checkbox"/>	50	60	1-16	42
PSC50-C-25100	<input type="checkbox"/>	50	100	1-16	42
PSC50-C-32060	<input type="checkbox"/>	50	60	2-20	50
PSC50-C-32100	<input type="checkbox"/>	50	100	2-20	50
PSC50-C-40060	<input type="checkbox"/>	50	65	3-30	63
PSC50-C-40100	<input type="checkbox"/>	50	100	3-30	63
PSC63-C-16060	<input type="checkbox"/>	63	60	0.5-10	28
PSC63-C-16100	<input type="checkbox"/>	63	100	0.5-10	28
PSC63-C-20060	<input type="checkbox"/>	63	60	1-13	34
PSC63-C-20100	<input type="checkbox"/>	63	100	1-13	34
PSC63-C-25060	<input type="checkbox"/>	63	60	1-16	42
PSC63-C-25100	<input type="checkbox"/>	63	100	1-16	42
PSC63-C-32060	<input type="checkbox"/>	63	60	2-20	50
PSC63-C-32100	<input type="checkbox"/>	63	100	2-20	50
PSC63-C-40070	<input type="checkbox"/>	63	70	3-30	63
PSC63-C-40120	<input type="checkbox"/>	63	120	3-30	63
PSC80-C-32070	<input type="checkbox"/>	80	70	2-20	50
PSC80-C-32160	<input type="checkbox"/>	80	160	2-20	50
PSC80-C-40070	<input type="checkbox"/>	80	70	3-30	63
PSC80-C-40160	<input type="checkbox"/>	80	160	3-30	63

C-TYPE COLLET CHUCKS
SPARE PARTS

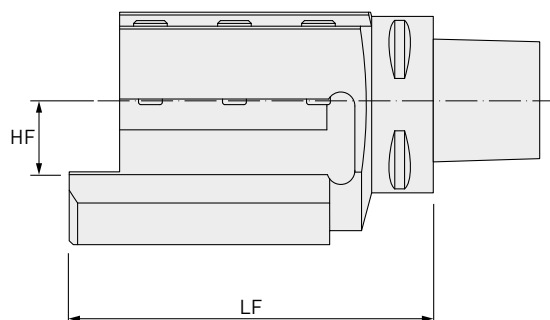
Tool holder type			
PSC40-C-16060	MPERC16●●	MP45316	MP50216
PSC40-C-20060	MPERC20●●	MP45320	MP50220
PSC40-C-25060	MPERC25●●	MP45325	MP50225
PSC40-C-32060	MPERC32●●	MP45332	MP50232
PSC50-C-16060	MPERC16●●	MP45316	MP50216
PSC50-C-16100	MPERC16●●	MP45316	MP50216
PSC50-C-20060	MPERC20●●	MP45320	MP50220
PSC50-C-20100	MPERC20●●	MP45320	MP50220
PSC50-C-25060	MPERC25●●	MP45325	MP50225
PSC50-C-25100	MPERC25●●	MP45325	MP50225
PSC50-C-32060	MPERC32●●	MP45332	MP50232
PSC50-C-32100	MPERC32●●	MP45332	MP50232
PSC50-C-40060	MPERC40●●	MP45340	MP50240
PSC50-C-40100	MPERC40●●	MP45340	MP50240
PSC63-C-16060	MPERC16●●	MP45316	MP50216
PSC63-C-16100	MPERC16●●	MP45316	MP50216
PSC63-C-20060	MPERC20●●	MP45320	MP50220
PSC63-C-20100	MPERC20●●	MP45320	MP50220
PSC63-C-25060	MPERC25●●	MP45325	MP50225
PSC63-C-25100	MPERC25●●	MP45325	MP50225
PSC63-C-32060	MPERC32●●	MP45332	MP50232
PSC63-C-32100	MPERC32●●	MP45332	MP50232
PSC63-C-40070	MPERC40●●	MP45340	MP50240
PSC63-C-40120	MPERC40●●	MP45340	MP50240
PSC80-C-32070	MPERC32●●	MP45332	MP50232
PSC80-C-32160	MPERC32●●	MP45332	MP50232
PSC80-C-40070	MPERC40●●	MP45340	MP50240
PSC80-C-40160	MPERC40●●	MP45340	MP50240

TA-TYPE ADAPTOR

ADAPTOR WITH AXIAL MOUNTING

ADAPTOR FOR SQUARE TURNING TOOL HOLDER

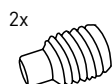
LEFT/RIGHT HAND



Order number	Stock	PSC	HF	LF
PSC50-TA-20098L	●	50	20	98
PSC50-TA-20098R	●	50	20	98
PSC63-TA-20100L	●	63	20	100
PSC63-TA-20100R	●	63	20	100
PSC63-TA-25130L	●	63	25	130
PSC63-TA-25130R	●	63	25	130
PSC63-TA-32134L	●	63	32	134
PSC63-TA-32134R	●	63	32	134
PSC80-TA-32140L	□	80	32	140
PSC80-TA-32140R	□	80	32	140

SPARE PARTS

Tool holder type

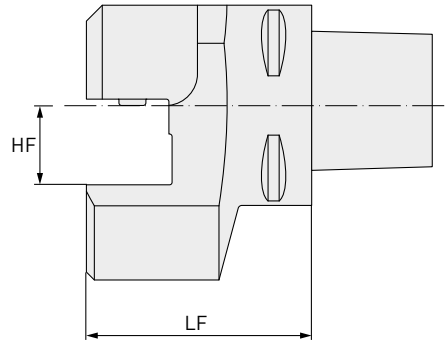


PSC50-TA-20098L	MP17010
PSC50-TA-20098R	MP17010
PSC63-TA-20100L	MP17110
PSC63-TA-20100R	MP17110
PSC63-TA-25130L	MP17012
PSC63-TA-25130R	MP17012
PSC63-TA-32134L	MP17012
PSC63-TA-32134R	MP17012
PSC80-TA-32140L	MP17012
PSC80-TA-32140R	MP17012

MP29716



TR-TYPE ADAPTOR

RADIAL MOUNTING - MULTI-PURPOSE ADAPTOR FOR SQUARE TOOL HOLDERS



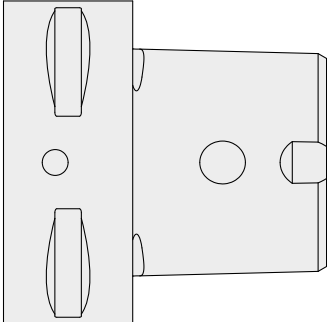
Order number	Stock	PSC	HF	LF
PSC50-TR-20058	●	50	20	58
PSC63-TR-25071	●	63	25	71
PSC63-TR-32071	●	63	32	71
PSC80-TR-32085	□	80	32	85

SPARE PARTS

Tool holder type		
PSC50-TR-20058	MP17112	
PSC63-TR-25071	MP17012	MP29716
PSC63-TR-32071	MP17012	
PSC80-TR-32085	MP17012	

AC-TYPE CAPS

AUTOMATIC CAPS



Order number	Stock	Automatic cap
PSC40-AC	●	40
PSC50-AC	●	50
PSC63-AC	●	63
PSC80-AC	●	80



GERMANY

MMC HARTMETALL GMBH
Comeniusstr. 2 . 40670 Meerbusch
Phone +49 2159 91890 . Fax +49 2159 918966
Email admin@mmchg.de

U.K.

MMC HARDMETAL U.K. LTD.
Mitsubishi House . Galena Close . Tamworth . Staffs. B77 4AS
Phone +44 1827 312312
Email sales@mitsubishicarbide.co.uk

SPAIN

MITSUBISHI MATERIALS ESPAÑA, S.A.
Calle Emperador 2 . 46136 Museros/Valencia
Phone +34 96 1441711 . Fax +34 96 1443786
Email comercial@mmevalencia.es

FRANCE

MMC METAL FRANCE S.A.R.L.
6, Rue Jacques Monod . 91400 Orsay
Phone +33 1 69 35 53 53 . Fax +33 1 69 35 53 50
Email mmfsales@mmc-metal-france.fr

POLAND

MMC HARDMETAL POLAND SP. Z O.O
Al. Armii Krajowej 61 . 50-541 Wrocław
Phone +48 71335 1620 . Fax +48 71335 1621
Email sales@mitsubishicarbide.com.pl

ITALY

MMC ITALIA S.R.L.
Viale Certosa 144 . 20156 Milano
Phone +39 0293 77031 . Fax +39 0293 589093
Email info@mmc-italia.it

TURKEY

MMC HARTMETALL GMBH ALMANYA - İZMİR MERKEZ ŞUBESİ
Adalet Mahallesi Anadolu Caddesi No: 41-1 . 15001 35530 Bayraklı/İzmir
Phone +90 232 5015000 . Fax +90 232 5015007
Email info@mmchg.com.tr

www.mmc-hardmetal.com

DISTRIBUTED BY:

□

□

└

└

MP105E 
Published: 2023.05